

**ORDINANCE NO. 2019-19**

**AN ORDINANCE AMENDING THE OFFICIAL ZONING ATLAS OF THE CITY OF VENICE, FLORIDA, FOR MULTIPLE PARCELS LOCATED EAST OF I-75 BETWEEN LAUREL ROAD AND BORDER ROAD AND OWNED BY BORDER ROAD INVESTMENTS LLC; MYARRA PROPERTY JOINT VENTURES LLC; WOOLRIDGE INVESTMENT-FLORIDA LLC; AND FC LAUREL LLC; PURSUANT TO REZONE PETITION NO. 18-10RZ, FROM COMMERCIAL MIXED-USE (CMU) AND PLANNED UNIT DEVELOPMENT (PUD) DISTRICTS TO A PLANNED UNIT DEVELOPMENT (PUD) DISTRICT; PROVIDING FOR REPEAL OF ALL ORDINANCES IN CONFLICT HEREWITH; PROVIDING FOR SEVERABILITY; AND PROVIDING FOR AN EFFECTIVE DATE**

**WHEREAS**, Rezone Petition No. 18-10RZ has been filed with the City of Venice to change the official City of Venice Zoning Map designation for the property described in Section 3 below from Commercial, Mixed-Use (CMU) and Planned Unit Development (PUD) Districts to a Planned Unit Development (PUD) District; and

**WHEREAS**, the subject property described in Section 3 below has been found to be located within the corporate limits of the City of Venice; and

**WHEREAS**, the City of Venice Planning Commission has been designated as the local planning agency in accordance with F.S. 163.3174; and

**WHEREAS**, the Planning Commission held a noticed public hearing on May 21, 2019 regarding the Petition and, based upon the evidence and public comment received at the public hearing, the staff report and discussion by the Planning Commission, voted to recommend approval of Rezone Petition No. 18-10RZ; and

**WHEREAS**, the Venice City Council has received and considered the report of the Planning Commission concerning Rezone Petition No. 18-10RZ; and

**WHEREAS**, City Council held a public hearing on Rezone Petition No. 18-10RZ in accordance with the requirements of the City's Code of Ordinances, and has considered the information received at said public hearing; and

**WHEREAS**, City Council finds that Rezone Petition No. 18-10RZ is in compliance with and meets the requirements of the city's Land Development Regulations and Comprehensive Plan.

**NOW, THEREFORE, BE IT ORDAINED BY THE CITY COUNCIL OF THE CITY OF VENICE, FLORIDA:**

**SECTION 1.** The Whereas clauses above are ratified and confirmed as true and correct.

**SECTION 2.** The City Council finds as follows:

A. The Council has received and considered the report of the Planning Commission recommending approval of Rezone Petition No. 18-10RZ.

B. The Council held a public hearing on the Petition and considered the information received at said public hearing.

C. The proposed rezoning of the property described herein is in accordance with and meets the requirements of the Land Development Code and is consistent with the City of Venice Comprehensive Plan.

**SECTION 3.** The "GCCF Planned Unit Development (PUD) Binding Master Plan" attached hereto as Exhibit A, along with the two requested Code modifications and revised "Master Site and Circulation Plan" reflected therein, is hereby adopted and incorporated by reference. The Official Zoning Atlas is hereby amended, by changing the zoning classification for the following described parcels located in the City of Venice from Commercial, Mixed-Use (CMU) and Planned Unit Development (PUD) Districts to a Planned Unit Development (PUD) District, subject to the following stipulations:

1. The Northern Italian Renaissance style of architecture is required for this project unless an alternative is provided by the City's Land Development Code.
2. All subsequent petitions for the development of the GCCF PUD must provide clear delineation of the specific properties/parcels that are located in the Curry Creek Assessment District and therefore serviced by County sewer.
3. The proposed medical office and house of worship are considered non-residential uses and the PUD is limited to 5% of the total PUD for these uses.
4. The cell tower facility shall not be included in the 5% non-residential limit for the GCCF PUD. For purposes of this PUD, the term Cell Tower Facility shall encompass all equipment, towers, antennae, as well as the entirety of the parcel (0389-00-2031) of which it is located upon.
5. At the time of final plat (final phase) open space (including wetlands) shall be protected in perpetuity by a recorded document approved by the City.

The subject 300± acre property is designated as Parcel ID # 0389-00-2006; Parcel ID # 0389-00-2005; Parcel ID # 0389-00-2031; Parcel ID # 0389-00-2030; Parcel ID # 0390-00-3040; Parcel ID # 0390-00-3041; Parcel ID # 0389-00-1010; Parcel ID # 0390-00-3030; and Parcel ID # 0390-00-3010 as depicted on the location map shown below and is further described as follows:

PARCEL 1:

A parcel of land lying and being in the NW 1/4 and the SW 1/4 of Section 34, Township 38 South, Range 19 East, Sarasota County, Florida, and being more particularly described as follows:

Commence at the NW corner of said Section 34; thence along the West line of the NW 1/4 of said Section 34, S 0°50'33" E, a distance of 1342.18 feet to the SW corner of the NW 1/4 of said Section 34; thence along the South line of said NW 1/4 of the NW 1/4 of said Section 34, S 89°29'17" E, a distance of 1470.24 feet for a Point of Beginning, said point being the NE corner of those lands as described in Official Records Book 2359, Pages 2069 and 2070, Public Records of Sarasota County, Florida; thence continue along said line, S 89°29'17" E, a distance of 425.54 feet, to the NW corner of those lands as described in Official Records Book 3024, Page 558, Public Records of Sarasota County, Florida; thence S 0°15'55" E, along the Westerly boundary line of said lands, a distance of 539.73 feet to the SW corner of said lands; thence S 89°29'01"E, along the Southerly boundary line of said lands, a distance of 292.83 feet; thence S 0°15'55" E, a distance of 524.13 feet; thence S 89°29'01" E, a distance of 517.24 feet to the East line of said NW 1/4 of Section 34, Township 38 South, Range 19 East, Sarasota County, Florida; thence S 0°15'55" E, along said East line, a distance of 2833.07 feet to the Northerly right-of-way line of Border Road; thence N 89°40'23" W, along said right-of-way line, a distance of 84.80 feet; thence N 0°19'37" E, along said right-of-way line, a distance of 17.00 feet; thence N 89°40'23" W, along said right-of-way line, a distance of 200.00 feet; thence N 80°23'38" W, along said right-of-way line, a distance of 303.93 feet; thence N 89°28'33" W, along said right-of-way line, a distance of 326.51 feet to the Northeasterly right-of-way line of State Road 93 (I-75), Florida Department of Transportation right-of-way map, Section 17075-2406; thence N 35°01'47" W, along said right-of-way line, a distance of 2115.71 feet to the most Southerly corner of those lands as described in Official Records Book 2359, Pages 2069 and 2070, Public Records of Sarasota County, Florida; thence N 54°58'13" E, along the Southeasterly boundary line of said lands, a distance of 1091.03 feet to the SE corner of said lands; thence N 0°50'28" W, along the Easterly boundary line of said lands, a distance of 138.24 feet; thence N 0°50'33" W, along the Easterly boundary line of said lands, a distance of 1338.73 feet to the Point of Beginning.

Less those lands described in Warranty Deed wherein Sarasota County, Florida, is Grantee and recorded in Official Records Instrument No. 2004206575, of the Public Records of Sarasota County, Florida.

PARCEL 2:

Commence at the SE corner of the SW 1/4 of Section 34, Township 38 South, Range 19 East, Sarasota County, Florida; thence N 0°17'55" W, 3390.20 feet for a Point of Beginning, thence continue N 0°17'55" W, 537.81 feet; thence N 89°31'01" W, 810.03 feet; thence S 0°17'55" E, 537.81 feet; thence S 89°31'01" E, 810.03 feet to the Point of Beginning, all lying and being in Section 34, Township 38 South, Range 19 East, Sarasota County, Florida.

Together with a 30 foot easement for ingress and egress lying on the West of the East line of the SW 1/4 of Section 34, Township 38 South, Range 19 East, Sarasota County, Florida, and lying between the South line of above described parcel and the North line of Border Road.

PARCEL 3:

Commence at the NW corner of Section 34, Township 38 South, Range 19 East, thence S 89°34'05" E 1690.65 feet along the North line of said Section 34, for the Point of Beginning; thence continue S 89°34'05" E 325.69 feet along said North line; thence S 1°03'08" E 1337.54 feet along a line parallel with the West line of said Section 34 to the South line of the NE 1/4 of the NW 1/4 of said Section 34; thence N 89°42'00" W 325.67 feet along said South line; thence N 1°03'08" W 1338.29 feet along a line parallel with the West line of said Section 34, to the Point of Beginning.

PARCEL 4:

Commence at the NW corner of Section 34, Township 38 South, Range 19 East, thence S 89°34'05" E, a distance of 1365.14 feet along the North line of said Section 34, for the Point of Beginning; thence continue S 89°34'05" E, a distance of 325.51 feet along said North line; thence S 1°03'08" E, a distance of 1338.29 feet along a line parallel with the West line of said Section 34 to the South line of the NE 1/4 of the NW 1/4 of said Section 34; thence N 89°42'00" W, a distance of 325.49 feet along said South line; thence N 1°03'08" W, a distance of 1339.04 feet along a line parallel with the West line of said Section 34, to the Point of Beginning.

PARCEL 5:

Commence at the NW corner of Section 34, Township 38 South, Range 19 East, thence S 0°50'33" E, 1342.18 feet; thence S 89°29'17" E, 1470.24 feet; thence S 89°29'17" E, 425.54 feet; thence S 0°15'55" East, 539.73; thence S 89°29'01" E, 292.83 feet for a Point of Beginning; thence S 0°15'55" E, 524.13 feet; thence S 89°29'01" E, 517.24 feet; thence N 0°17'55" W, 524.13 feet; thence N 89°31'01" W, 517.20 feet to the Point of Beginning.

PARCEL 6:

A portion of Section 34, Township 38 South, Range 19 East, Sarasota County, Florida, being more particularly described as follows:

Commence at the SW corner of SE 1/4 of Section 34, Township 38 South, Range 19 East, Sarasota County, Florida; thence S 89°52'24" E along the South line of said Section 34, a distance of 667.01 feet for the Point of Beginning; thence continue S 89°52'24" E along said South line a distance of 332.66 feet; thence N 00°10'44" W a distance of 100.00 feet to the SW corner of Wade property as recorded in Official Records Book 1037, Page 1561, of the Public Records of Sarasota County, Florida; thence N 89°52'24" W along a line a distance of 100.00 feet from and parallel with said South line a distance of 332.66 feet to the SW corner of Prestia property as described in Official Records Book 1035, Page 1096, of the Public Records of Sarasota County, Florida; thence S 00°10'44" E a distance of 100.00 feet to the Point of Beginning, LESS: The South 33.00 feet of the West 20.00 feet of the East 665.23 feet of the South 100.00 feet of the West 1/2 of the East 1/2 of Section 34, Township 38 South, Range 19 East, Sarasota County, Florida

Together with:

Commence at a point 100.00 feet North and 667.11 feet East of the SW corner of the SE 1/4 of Section 34, Township 38 South, Range 19 East, Sarasota County, Florida, for a Point of Beginning; thence continue East a distance of 332.66 feet; thence N 0°16'58" W a distance of 654.73 feet; thence West a distance of 332.66 feet; thence S 0°16'58" E a distance of 654.73 feet to the Point of Beginning. All lying and being in the West 1/2 of the East 1/2 of Section 34, Township 38 South, Range 19 East, Sarasota County, Florida.

PARCEL 7:

Commence at a concrete monument 100 feet North and 667.11 feet East of the SW corner of the SE 1/4 of Section 34, Township 38 South, Range 19 East; thence run N 00°16'58" W 654.73 feet to a concrete monument for a Point of Beginning; thence continue N 00°16'58" W 654.73; thence run East 665.32 feet; thence run S 00°16'58" E 654.73 feet to a concrete monument; thence run West 665.32 feet to the Point of Beginning. All lying and being in the West 1/2 of the East 1/2 of Section 34, Township 38 South, Range 19 East.

Together with a non-exclusive access easement, 30 feet wide, for ingress and egress across the land described as follows:

Begin at a point on the Section line lying 667.11 feet East of the SW corner of the SE 1/4 of Section 34, Township 38 South, Range 19 East for a Point of Beginning; thence North 100 feet; thence N 00°16'58" W 694.73 feet; thence West 30 feet; thence S 00°16'58" E 694.73 feet; thence South 100 feet; thence East 30 feet to the Point of Beginning.

PARCEL 8:

The West 1/2 of the East 1/2 of Section 34, Township 38 South, Range 19 East, Less tracts described in Official Records Book 1035, Page 1096, Official Records Book 1037, Page 1561, Official Records Book 1075, Page 876 and Official Records Book 1185, Page 1809, of the Public Records of Sarasota County, Florida.

Also being more particularly described as follows:

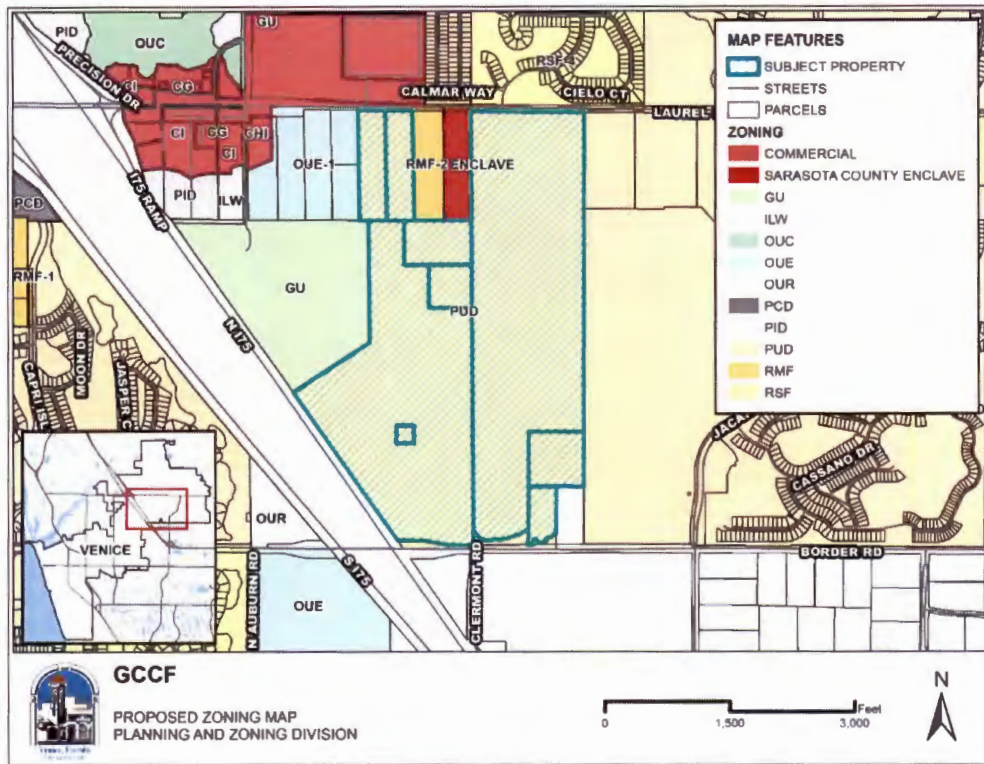
Begin at the NW corner of the NE 1/4 of Section 34, Township 38 South, Range 19 East; thence N 89°34'05" E 1359.48 feet along the North line of said Section 34 to the NE corner of NW 1/4 of NE 1/4 of said Section 34; thence S 00°10'46" E 2664.93 feet along the East line of the West 1/2 of East 1/2 of said Section 34; thence continue along said East line S 00°10'44" E 1183.64 feet to the NE corner of tract described in Official Records Book 1075, Page 876; thence N 89°52'24" W 665.32 feet to the NE corner of said tract; thence S 00°10'44" E 1409.46 feet along the West line of said property and tract described in Official Records Book 1035, Page 1096 and tract described in Official Records Book 1165, Page 1809; to South line of said Section 34; Thence N 89°52'24" W 666.71 feet along said South line to the SW corner of East 1/2 of said Section 34; thence N 00°28'38" W 5265.49 feet along West line of East 1/2 of said Section 34 to the Point of Beginning.

Less and except Border Road and Laurel Road rights of way.

Less and except the additional right of way for Border Road conveyed to Sarasota County in Official Records Instrument No. 2004032618.

Less and except the lands conveyed to the City of Venice recorded in Official Records Instrument No. 2006171348.

Any discrepancy between the legal description and the map shall resolve in favor of the map.



**SECTION 4.** All Ordinances or parts of Ordinances in conflict herewith shall be and the same are hereby repealed.

**SECTION 5.** If any part, section, subsection, or other portion of this ordinance or any application thereof to any person or circumstance is declared void, unconstitutional, or invalid for any reason, such part, section, subsection, or other portion, or the prescribed application thereof, shall be severable, and the remaining provisions of this ordinance, and all applications thereof not having been declared void, unconstitutional, or invalid, shall remain in full force and effect.

**SECTION 6. Effective date.** This ordinance shall take effect immediately upon its approval and adoption as provided by law.

**PASSED BY THE CITY COUNCIL OF THE CITY OF VENICE, FLORIDA, THIS 25TH DAY OF FEBRUARY 2020.**

First Reading: June 25, 2019 and July 9, 2019

Final Reading: February 25, 2020

Adoption: February 25, 2020

Ron Feinsod, Mayor

Attest:

Lori Stelzer, MMC, City Clerk

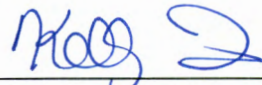
I, Lori Stelzer, MMC, City Clerk of the City of Venice, Florida, a municipal corporation in Sarasota County, Florida, do hereby certify that the foregoing is a full and complete, true and correct copy of an Ordinance duly adopted by the City of Venice Council, a meeting thereof duly convened and held on the 25th day of February 2020, a quorum being present.

**WITNESS** my hand and the official seal of said City this 25th day of February 2020.



Lori Stelzer, MMC, City Clerk

Approved as to form:



Kelly Fernandez, City Attorney

GCCF  
PLANNED UNIT DEVELOPMENT (PUD)  
BINDING MASTER PLAN  
July 9, 2019  
ADOPTED BY ORDINANCE NO. 2019-\_\_\_\_\_  
\_\_\_\_\_, 2019

# GCCF PUD

## PROJECT NARRATIVE

The proposed GCCF PUD is 300 +/- acre property located south of Laurel Road, north of Border Road, east of I-75 and the City's wastewater treatment plant, and west of the Milano PUD. The property is located within the Northeast Neighborhood of the City's Comprehensive Plan and is designated Mixed Use Residential on the Future Land Use Map. The property consists of the previously approved The Bridges CMU (Ordinance No. 2008-24) and the previously approved Villa Paradiso PUD (Ordinance No. 2006-10). Together the two currently approved binding development plans for the property authorize up to 1,794 residential dwelling units with a mix of residential housing types, and up to 160,00 square feet on non-residential uses.

The applicant proposes a rezoning to Planned Unit Development (PUD) which would combine The Bridges CMU and the Villa Paradiso PUD into a single PUD (GCCF) for the development of a residential community consisting of detached single-family homes, paired villas, multi-family homes, assisted living facilities, amenity centers, and open space. A 25 +/- acre portion of the property will also allow for House of Worship as permitted use, and Medical Office as a Special Exception Use, as an alternative to residential. The proposed density is up to 1,300 residential units (approximately 4.3 dwelling units per acre), a 27 % reduction in the currently approved density for the site. The proposed GCCF PUD will also reduce building heights, increase perimeter setbacks, and increase open space as compared to the currently approved zoning.

Access to the site will be via Laurel Road and Border Road. Consistent with Comprehensive Plan Strategy TR-NE 1.1.4 a north/south roadway connection between Laurel Road and Border Road will be provided through the GCCF PUD. In addition, where common ownership with the Milano PUD to the east exists, one or more optional interconnections between the properties shall be permitted. The circulation plan for the GCCF PUD will provide opportunities for multi-modal connectivity, and will include a linked sidewalk system for pedestrian connectivity from each of the development pods throughout the PUD. Further, sidewalk linkages along Laurel Road and Border Road will be provided to the project limit.

All internal roadways will be privately owned and maintained. The on-site storm water management system will be privately owned and maintained. Water and wastewater facilities will be dedicated to the City of Venice.



## COMPLIANCE

The proposed GCCF PUD plan is consistent with all applicable elements of the City's Comprehensive Plan. Specifically, the proposed GCCF PUD is consistent with the Northeast Neighborhood plan and the existing and future land uses therein, including Strategy LU-NE 1.1.1. which designates the property Mixed Use Residential (MUR) and allows for up to five (5) dwelling units per acre.

Pursuant to Comprehensive Plan Strategy LU- NE 1.1.1. C LU-1.2.16.6.c a minimum of 50% open space will be provided including a minimum of 10% Functional and 10% Conservation Open Space.

As noted above, consistent with Strategy TR-NE 1.1.4 a north/south roadway connection between Laurel Road and Border Road will be provided through the GCCF PUD.

In addition, the GCCF PUD plan is in compliance with the applicable Intents and Strategies of the Transportation, Open Space, Housing, Infrastructure, and Public Schools Elements of the Comprehensive Plan.

Finally, the proposed GCCF PUD is in compliance with the City of Venice Land Development Code Sec. 86-130 requirements for Planned Unit Development (PUD) Districts as outlined in the below Land Use and Development Standards.

## LAND USE AND DEVELOPMENT STANDARDS

The following identifies the proposed development standards for the GCCF Planned Unit Development. In furtherance of the interpretation authority granted by the City of Venice Comprehensive Plan and Land Development Code, the Zoning Administrator shall have authority to administratively approve minor modifications of standards contained with the GCCF Planned Unit Development, excluding standards related to density, building height, buffer widths, and the addition of uses. Reasonable mitigation measures may be imposed by the Zoning Administrator to limit impacts from the requested adjustment of standards. Where the PUD master plan identifies areas for residential uses, the developer shall have the option to convert such residential use areas to open space uses.

Any standard not stated or otherwise addressed in the binding master plan is subject to Chapter 86- Land Development Code.

A. Land Uses

1) Permitted Principal Uses and Structures

- Residential single-family dwellings (detached)
- Residential single-family dwellings (attached)
- Multi-family dwellings
- Private club, community centers and civic and social organization facilities
- House of Worship
- Recreational areas
- Open Space
- Cell Tower

2) Permitted Accessory Uses and Structures

- Are customarily accessory and clearly incidental and subordinate to permitted or permissible uses and structures.
- Are located on the same lot as the permitted or permissible use or structure or on a contiguous lot in the same ownership.
- Do not involve operations or structures not in keeping with the character of the district.
- Do not involve the conduct of business on residential premises, provided that accessory home occupations shall be allowed as accessory to residential uses.

3) Special Exception Uses

- Assisted Living Facilities
- Medical Office

B. Density/ Intensity

- 1) Residential- Up to 1,300 residential units
- 2) Open Space- Minimum 50%
- 3) Non-Residential - Maximum FAR 0.5 (individual site)

C. Maximum Height of Structures

- 1) Single-Family - 3 stories up to 35' including parking.
- 2) Assisted Living, House of Worship, Medical Office- 5 stories up to 55' including parking. (For heights above 3 stories and 35', Conditional Use approval required)

## D. LOT DETAIL

### 1) Single-Family Detached

- Minimum Lot Size: 4,500 square feet
- Maximum Lot Coverage: None, except as required to meet other requirements set out in this section
- Minimum Lot Width: 40 feet
- Front Yard: 20 feet
- Side Yard: 5 feet
- Rear Yard: 10 feet
- Accessory structures/appurtenant structures including, but not limited to pool cages, may be located within five feet of the rear lot line

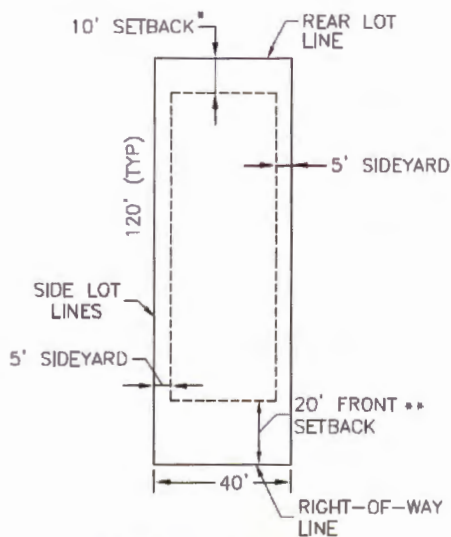
### 2) Single-Family Attached (Paired Villas)

- Minimum Lot Size: 4,025 square feet
- Maximum Lot Coverage: None, except as required to meet other requirements set out in this section
- Minimum Lot Width: 35 feet
- Front Yard: 20 feet
- Side Yard: 5 feet
- Rear Yard: 10 feet
- Accessory structures/appurtenant structures including, but not limited to pool cages, may be located within five feet of the rear lot line

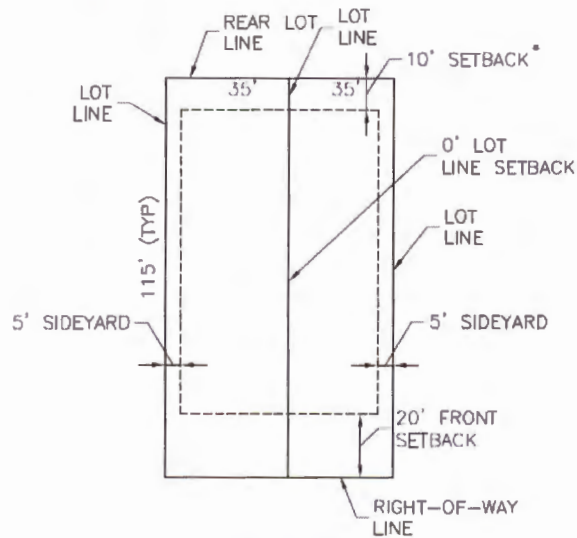
### 3) Multi-Family

- Minimum Lot Size: 7,200 square feet
- Maximum Lot Coverage: None, except as required to meet other requirements as set out in this section
- Minimum Lot Width: 90 feet
- Front Yard: 20 feet
- Side Yard: 5 feet
- Rear Yard: 10 feet

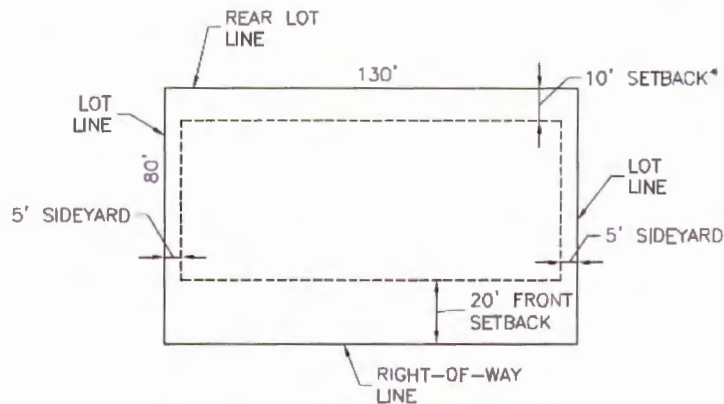
- Accessory structures/appurtenant structures including, but not limited to pool cages, may be located within five feet of the rear lot line



**TYPICAL LOT DETAIL**  
SINGLE FAMILY DETACHED



**TYPICAL LOT DETAIL**  
PAIRED VILLAS



**MULTI-FAMILY LOT DETAIL**  
4 PLEX / 6 PLEX

\* ACCESSORY STRUCTURES/APPURTENANT STRUCTURES SUCH AS POOL CAGES, MAY BE LOCATED WITHIN FIVE FEET OF THE REAR LOT LINE.

\*\* FRONT SETBACK MAY BE REDUCED TO 15' WHEN THE BUILDING HAS A SIDE ENTRY GARAGE

**LOT DETAILS**

PROJECT: GCCF PROPERTY

CLIENT: BORDER ROAD INVESTMENT, LLC



**Stantec**

6900 Professional Parkway East, Sarasota, FL 34240-8414  
Phone 941-907-6900 • Fax 941-907-6910  
Certificate of Authorization #27013 • www.stantec.com

The Contractor shall verify and be responsible for all dimensions. DO NOT scale the drawing - any errors or omissions shall be recognized to Stantec without delay. The Copyrights to all designs and drawings are the property of Stantec. Reproduction or use for any purpose other than that authorized by Stantec is forbidden.

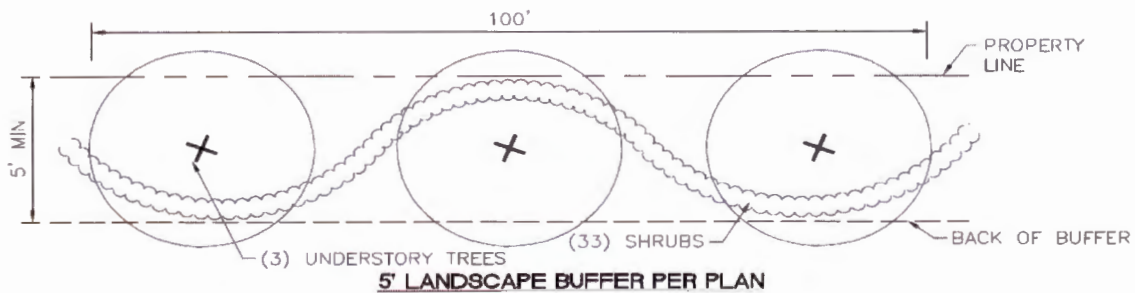
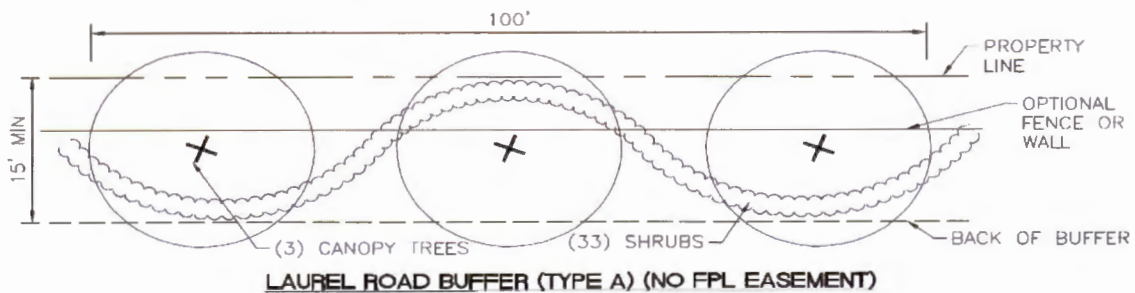
MELANIE DELEHANTY SMITH, P.E.  
FLORIDA LICENSE NO. 75447

SCALE: 1" = 50'	DATE: 09/2018
SEC: 35/36 TWP: 38S RGE: 19E	REV NO.
PROJECT NO: 215614685	INDEX NO: 215614685-001-EXB03
DRAWN BY/EMP NO: RSB/115155	SHEET NO: 1 OF 2

4) Assisted Living, House of Worship, Medical Office

- Minimum Lot Size: None, except as needed to meet all other requirements set out in this section.
- Maximum Lot Coverage: None, except as required to meet other requirements set out in this section
- Lot Width: 100 feet
- Front Yard: 20 feet
- Side Yard: Six feet minimum, but in no case less than 15 feet combined side yards.
- Rear Yard: 10 feet
- Accessory structure/ appurtenant structures: 5 feet
- Buildings above 35 feet shall provide additional side and rear yards at a ratio of one foot of yard for each three feet of building height above 35 feet and a front yard of 25 feet or one-half of the building height, whichever is greater.

E. BUFFERS/ LANDSCAPING



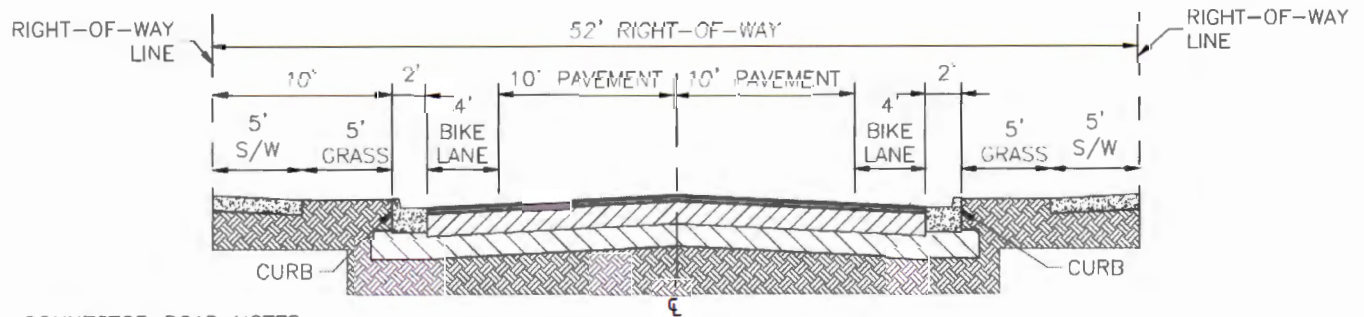
NOTES:

1. EXISTING VEGETATION TO REMAIN WHERE FEASIBLE TO SATISFY BUFFER PLANTING REQUIREMENTS.
2. TYPICAL BUFFER REQUIREMENTS WILL NOT APPLY WHERE EXISTING WETLANDS ARE TO REMAIN.
3. WHERE OVERHEAD UTILITY POLE LOCATIONS RESTRICT VERTICAL VEGETATION HEIGHTS, ACCENT TREES AS DEFINED BY SARASOTA COUNTY SHALL BE USED IN LEIU OF A CANOPY TREE.
4. BERM HEIGHTS SHALL BE LIMITED TO A RANGE 0' TO 6'.

F. Roadway Design (Minimum Design Standards)

1) The GCCF PUD proposes the following minimum roadway design for the connection road from Laurel Road to Border Road required pursuant to Comprehensive Plan Strategy TR-NE 1.1.4. (see typical connection roadway standard below)

- Right-of-Way: 52 feet
- Travel Lanes: 10 feet
- Sidewalk: 5 feet (x2)
- Bike Lane 4 feet (x 2)
- 2 foot curb
- One (1) tree per lot which may be placed within or adjacent to the ROW, minimum 3" caliper at installation



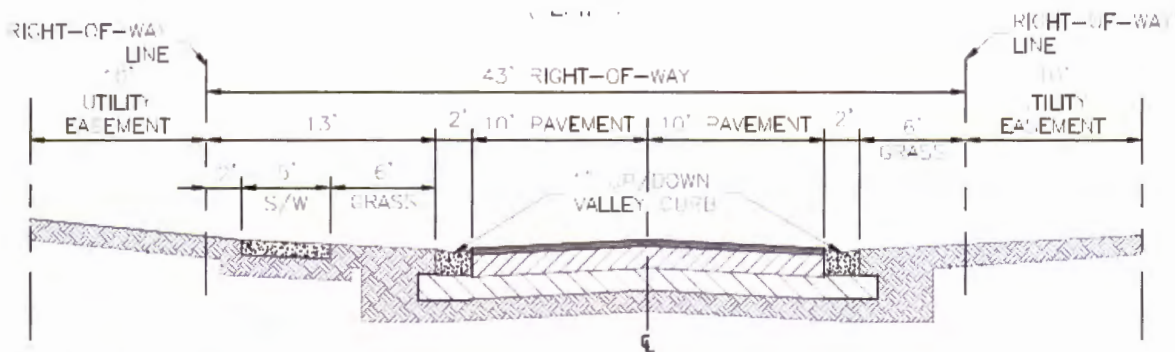
CONNECTOR ROAD NOTES:

1. THE TWO 5' SIDEWALKS CAN BE SUBSTITUTED FOR ONE 8' MURT. THE 8' MURT MAY BE PLACED ON EITHER SIDE OF THE ROAD AND THE REMAINDER OF THE COMPONENTS OF THE SECTION CAN BE SHIFTED TO MAINTAIN THE 52' MINIMUM CROSS SECTION.
2. ON STREET PARKING MAY BE ADDED TO THE SECTION SUCH THAT THE 52' MINIMUM R-O-W IS INCREASED TO ACCOMMODATE THE SPACE NEEDED FOR THE ADDITIONAL PARKING.

TYPICAL CONNECTION ROADWAY SECTION  
(SECTION h-h)

2) The GCCF PUD proposes an alternative minimum neighborhood roadway design with the following standards (see typical neighborhood roadway section below):

- Right-of-Way: 43 feet
- Travel Lanes: 10 feet
- Sidewalk: 5 feet, one side of street only
- 2 foot curb
- One (1) tree per lot which may be placed within or adjacent to the ROW, minimum 3" caliper at installation

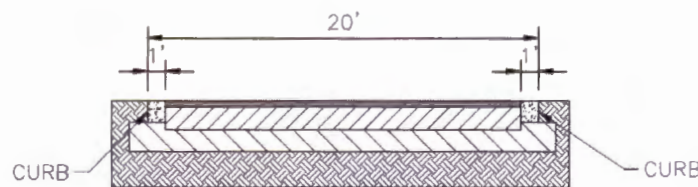


NEIGHBORHOOD ROADWAY NOTE:  
 1. THERE SHALL BE NO ON-STREET PARKING PERMITTED.

**TYPICAL NEIGHBORHOOD ROADWAY SECTION**  
 (SECTION B-B)

3) The GCCF PUD proposes an alley design with the following minimum standards (see typical alley section below):

- Right-of-Way: 20 feet



**TYPICAL ALLEY SECTION**  
 (SECTION C-C)

4) Pursuant to Sec. 86-233(3) City Council Approval of dead-end streets (cul-de-sacs) up to 1,200 feet in length is requested.



G. SIGNAGE: No signs are permitted in the GCCF PUD except:

- 1) One non-illuminated temporary construction project ground sign per street frontage, not exceeding 32 square feet in area, such sign not to be erected more than 60 days prior to the time actual construction begins, and to be removed upon completion of actual construction. If construction is not begun within 60 days or if construction is not continuously and actively prosecuted to completion, the sign shall be removed.
- 2) One community identification, monument-style ground sign, or wall sign not to exceed nine (9) feet in height and twenty (20) feet in width, on each side, or in the median and one side, of each vehicular access point off Border Road and Laurel Road.
- 3) One wall or monument-style ground sign, or wall sign not over eight square feet in area, to identify a private club.
- 4) Assisted Living Facility, Medical Office, House of Worship Signage- One monument-style ground sign, or wall sign for each lot or parcel, not over 75 square feet in area.

## PROPOSED GCCF PUD MODIFICATION TO STANDARDS

- 1) A modification to the requirements of Sec. 86-130 (q), concerning the requirement that no structure, including pool cages, shall be located closer to any perimeter property line than two times the height of such structure, is requested. The proposed modification is to reduce the required setback from perimeter property lines to one times the building height.

The proposed modification request is justified based upon the low intensity of the development plan, the extensive perimeter buffers and the significant amount of open space otherwise provided.

- 2) A modification to the requirements of Sec 86-232(5) concerning the roadway design standards is proposed and an alternative neighborhood roadway design is proposed. The proposed modification reduces right-of way width from 52' to 43', allows for sidewalks on one side of the neighborhood roadway only, and eliminates bike lanes for the neighborhood roadways.

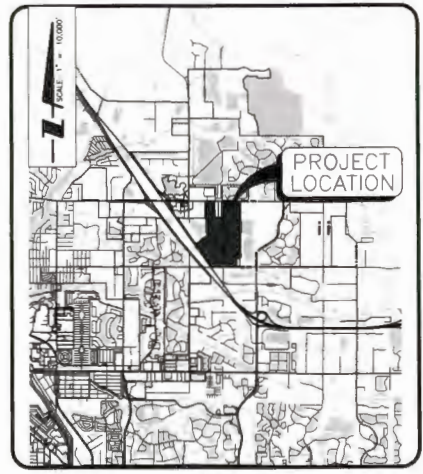
The proposed modification request is justified based upon the protection of wetlands and their buffers afforded by the modification, and the low intensity of the development plan.



PLANNED UNIT DEVELOPMENT PLANS FOR  
**GCCF PROPERTY**

PART OF SECTION 35 AND 36,  
 TOWNSHIP 38 SOUTH,  
 RANGE 19 EAST,  
 SARASOTA COUNTY, FLORIDA

A DEVELOPMENT BY  
**BORDER ROAD  
 INVESTMENT, LLC**  
 5800 LAKEWOOD RANCH BOULEVARD NORTH  
 SARASOTA, FL 34240  
 941-328-1111



LOCATION MAP

SHEET DESCRIPTION		
1	COVER SHEET	
2	MASTER SITE AND CIRCULATION PLAN	
PROJECT PLANNER JIM COLLINS	PROJECT DEVELOPER BORDER ROAD INVESTMENT, LLC	PROJECT CONSULTANT STANTEC
PROJECT DESIGNER RUSSELL DICKENS	PROJECT ENGINEER THOMAS J. PLESCONIA, P.E. FLORIDA LICENSE NO. 8868	PROJECT MANAGER WILLIAM DELIBRANTY BUELL, P.E. FLORIDA LICENSE NO. 7849
PROJECT NUMBER <b>215614685</b>		
DATE <b>FEBRUARY 2019</b>		INDEX NUMBER <b>215614685-01C-001CV</b>

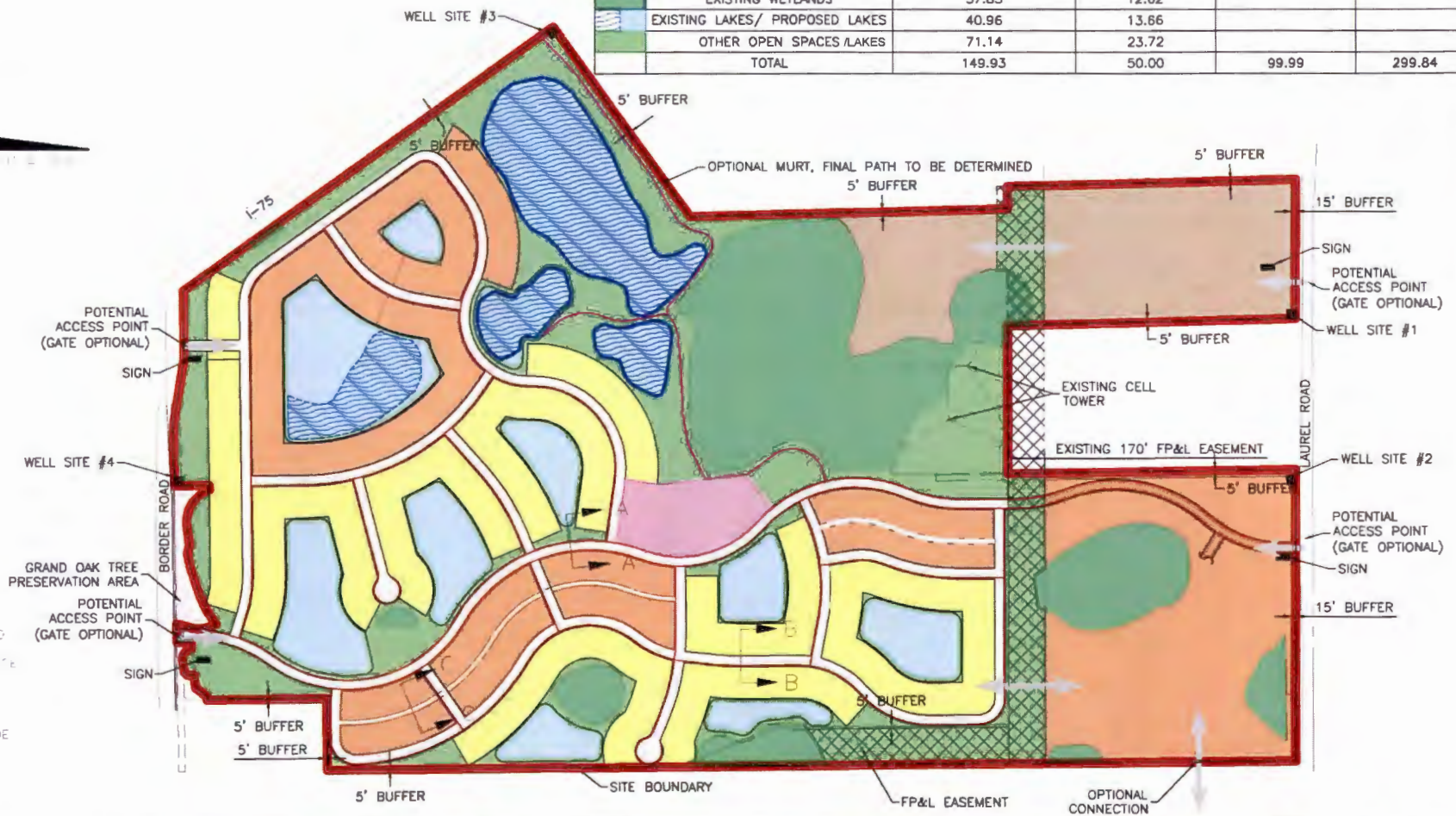


6900 Professional Parkway East, Sarasota, FL 34240-8414  
 Phone 941-907-6900 • Fax 941-907-6910  
 Certificate of Authorization #27013 • www.stantec.com

REV. NO.	DESCRIPTION	DATE	DRAWN BY

- PROPOSED 5' SIDEWALKS
- PROPOSED 8' MURT

LAND USE	AREA AS SHOWN (AC)	% AS SHOWN	REQUIRED AREA	REQUIRED %
SINGLE FAMILY RESIDENTIAL	46.23	15.42		
AMENITY AREA/MULTI-FAMILY RESIDENTIAL/SINGLE FAMILY RESIDENTIAL	4.68	1.56		
MULTI-FAMILY RESIDENTIAL/SINGLE FAMILY RESIDENTIAL	47.03	15.68		
MEDICAL OFFICE/MULTI-FAMILY/HOUSE OF WORSHIP/ ASSISTED LIVING FACILITY	25.41	8.47		
R-O-W	26.56	8.86		
OPEN SPACE			149.93	50
EXISTING WETLANDS	37.83	12.62		
EXISTING LAKES/ PROPOSED LAKES	40.96	13.66		
OTHER OPEN SPACES /LAKES	71.14	23.72		
<b>TOTAL</b>	<b>149.93</b>	<b>50.00</b>	<b>99.99</b>	<b>299.84</b>



\*NOTE:  
 WELLS SITES TO BE RELOCATABLE SUBJECT TO MUTUAL AGREEMENT OF OWNER AND CITY  
 ENTR GATE TO BE OPENED DURING EMERGENCY AS DETERMINED BY FIRE AND FIRE DEPARTMENTS  
 THE SIDEWALK SHOWN ARE CONCEPTUAL AND MAY BE LOCATED ON THE OTHER SIDE OF THE ROAD

PROJECT: <b>BORDER ROAD INVESTMENT, LLC</b> CLIENT: <b>GCCF PROPERTY</b> PROJECT NO: <b>215614685</b>		<b>MASTER SITE AND CIRCULATION PLAN</b> SHEET NO: <b>2</b> OF <b>2</b>
---	--	---