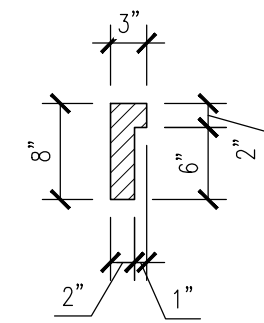
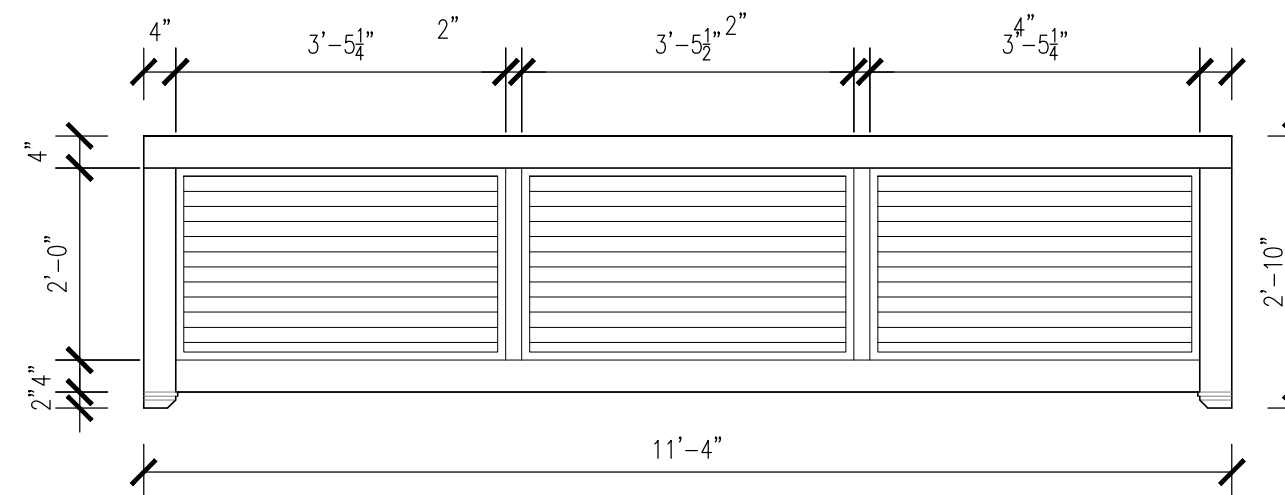


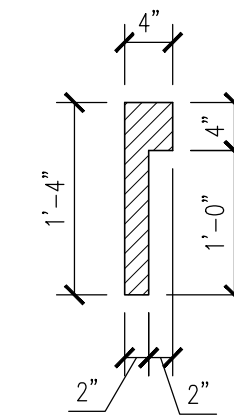
1 FRONT ELEVATION
SCALE: 3/16" = 1'-0"



3 HEADER DETAIL
SCALE: 3/4" = 1'-0"

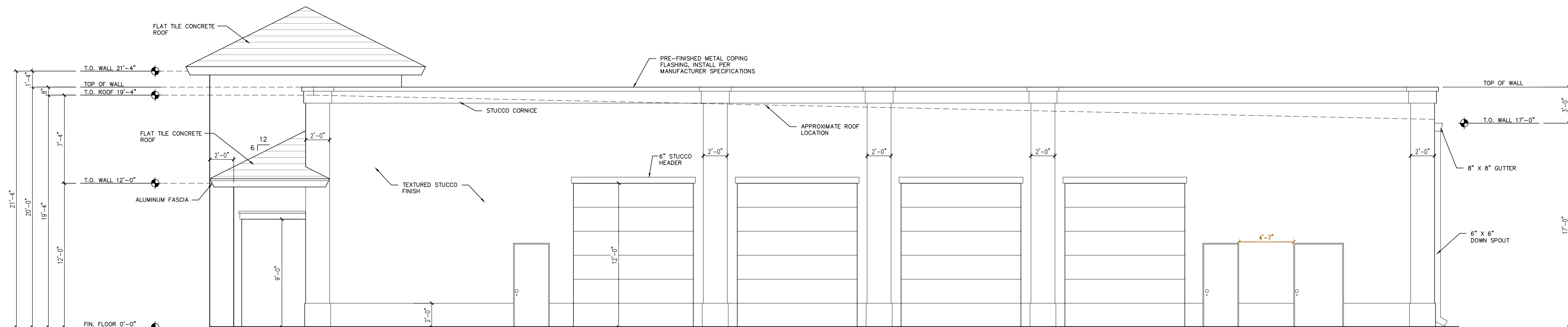


4 SHUTTER DETAILS
SCALE: 1/2" = 1'-0"



5 CORNICE DETAILS
SCALE: 3/4" = 1'-0"

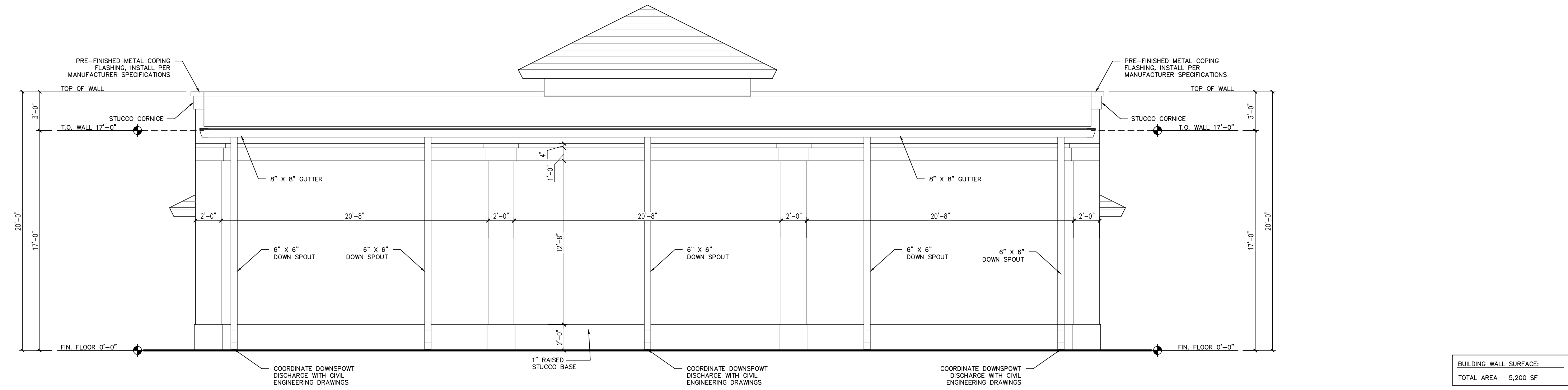
BUILDING WALL SURFACE:
TOTAL AREA 5,200 SF



2 RIGHT SIDE ELEVATION
SCALE: 3/16" = 1'-0"

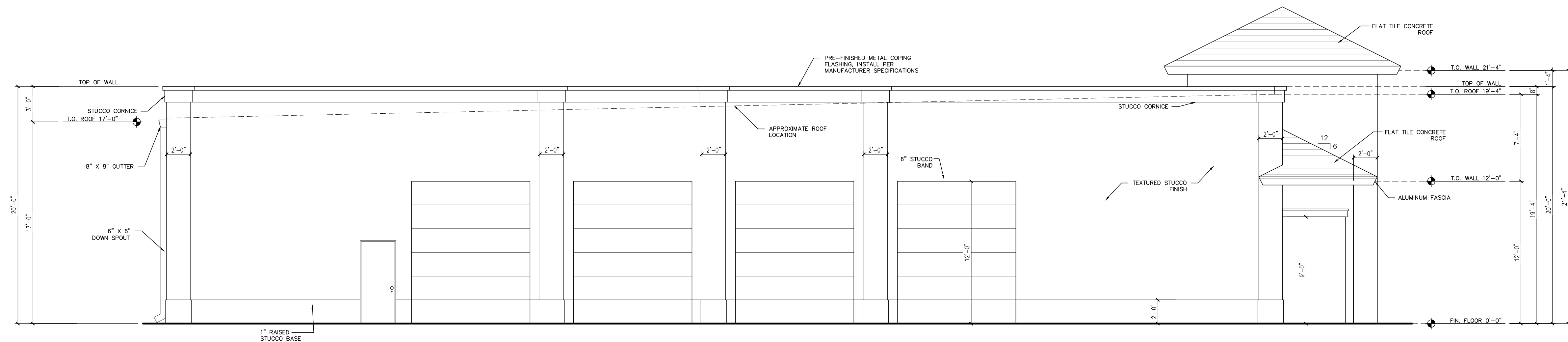
REVISION	
REVISION	
REVISION	
REVISION	
REVISION	
DRAWN	
CHKD	LG
DATE	10-10-22
PROJECT NO.	21-22
DRAWING NO.	

REVISION
REVISION
REVISION
REVISION
REVISION
DRAWN
CHKD LG
DATE 10-10-22
PROJECT NO. 21-22
DRAWING NO.



BUILDING WALL SURFACE:
TOTAL AREA 5,200 SF

1 REAR ELEVATION
SCALE: 3/16" = 1'-0"



2 LEFT SIDE ELEVATION
SCALE: 3/16" = 1'-0"