

Google earth

feet
meters





© 2016 Google
© 2016 Google
US Dept of State Geographer

Google earth

Google earth

feet
meters





PARKVIEW EAST

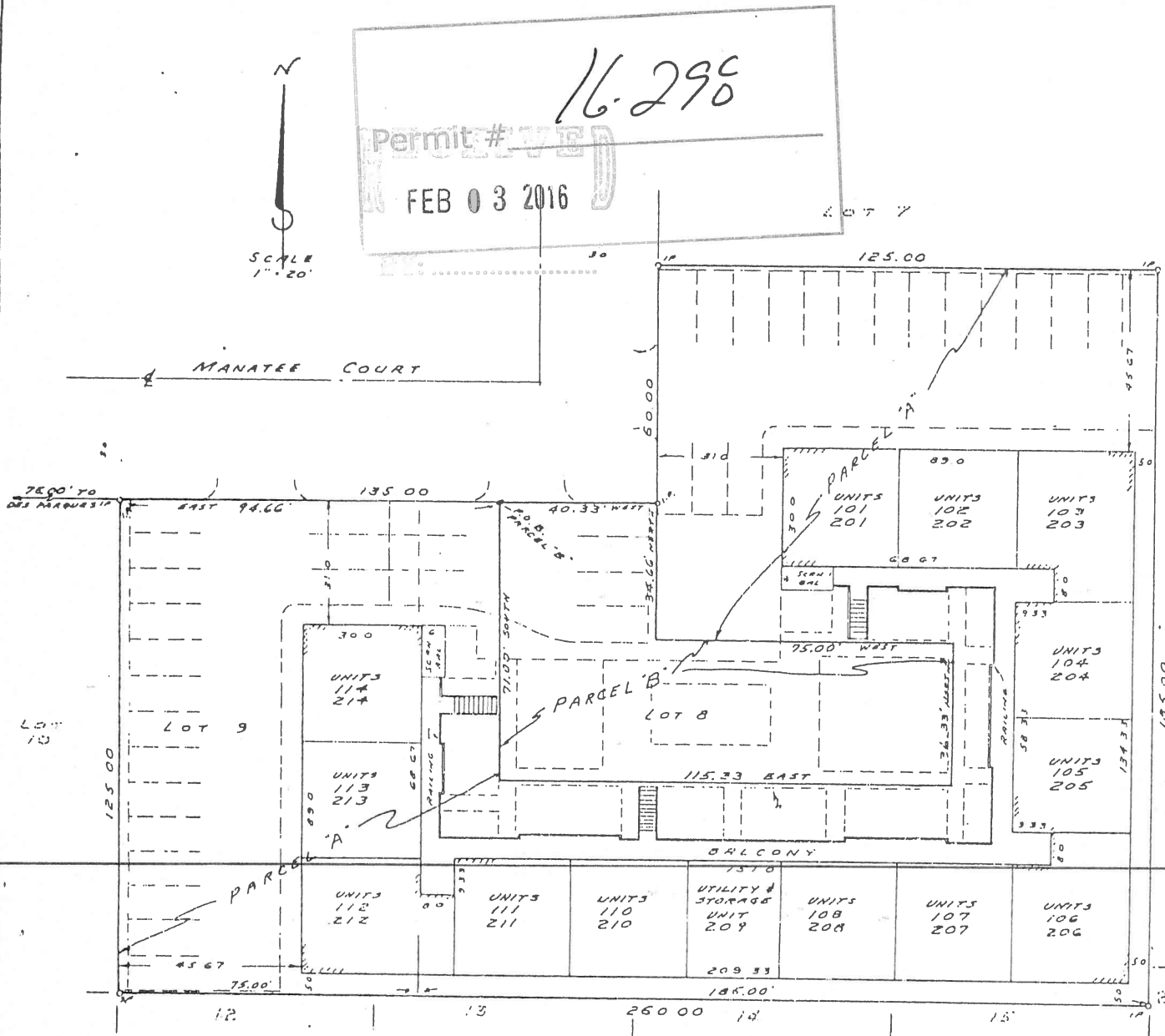
A CONDOMINIUM

SEC 12 TWP 39S. RGE 18E.

CITY of VENICE

County of Sarasota State of Florida

16.296
 Permit # [REDACTED]
 FEB 03 2016



DESCRIPTION
 Lots 8 and 9, Block 35
 VENICE GULF VIEW SECTION
 as recorded in Plat Book 2, Page 77A
 Public Records of Sarasota County, Florida

PARCEL 'A'
 CONTAINS ALL REAL PROPERTY INCLUDED IN THE
 CONDOMINIUM IN FEE SIMPLE:

Lots 8 & 9 Block 35, VENICE GULF VIEW SECTION
 as recorded in Plat Book 2, Page 77A, Public
 Records of Sarasota County, Florida. LESS the
 following described PARCEL: From the Northwest
 corner of said Lot 9; thence East along the North
 boundary of said Lot 9; thence East along the Point of
 BEGINNING; thence South 71.00 feet; thence East,
 115.33 feet; thence North 34.33 feet; thence West,
 75.00 feet; thence North, 34.66 feet; thence West,
 40.33 feet to the POINT OF BEGINNING.

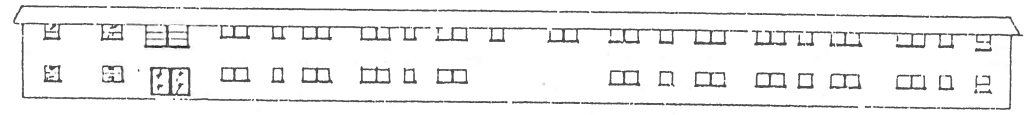
PARCEL 'B'
 PARCEL 'B' IS NOT BEING SUBMITTED TO CONDOMINIUM
 OWNERSHIP OR INCLUDED IN CONDOMINIUM, BUT IS LEASED
 TO CONDOMINIUM FOR A TERM OF 99 YEARS.

A part of Lots 8 & 9, Block 35, VENICE GULF
 VIEW SECTION as recorded in Plat Book 2, Page 77A
 Public Records of Sarasota County, Florida. More
 particularly described as follows: From the North-
 west corner of said Lot 9; thence East along the
 North boundary of said Lot 9; thence East along the
 Point of BEGINNING; thence South, 71.00 feet;
 thence East, 115.33 feet; thence North, 34.33 feet;
 thence West, 75.00 feet; thence North, 34.66 feet;
 thence West, 40.33 feet to the POINT OF BEGINNING.

NOTE
 All buildings as shown are proposed and upon comple-
 tion of construction a certificate shall be placed of record
 as to their location.

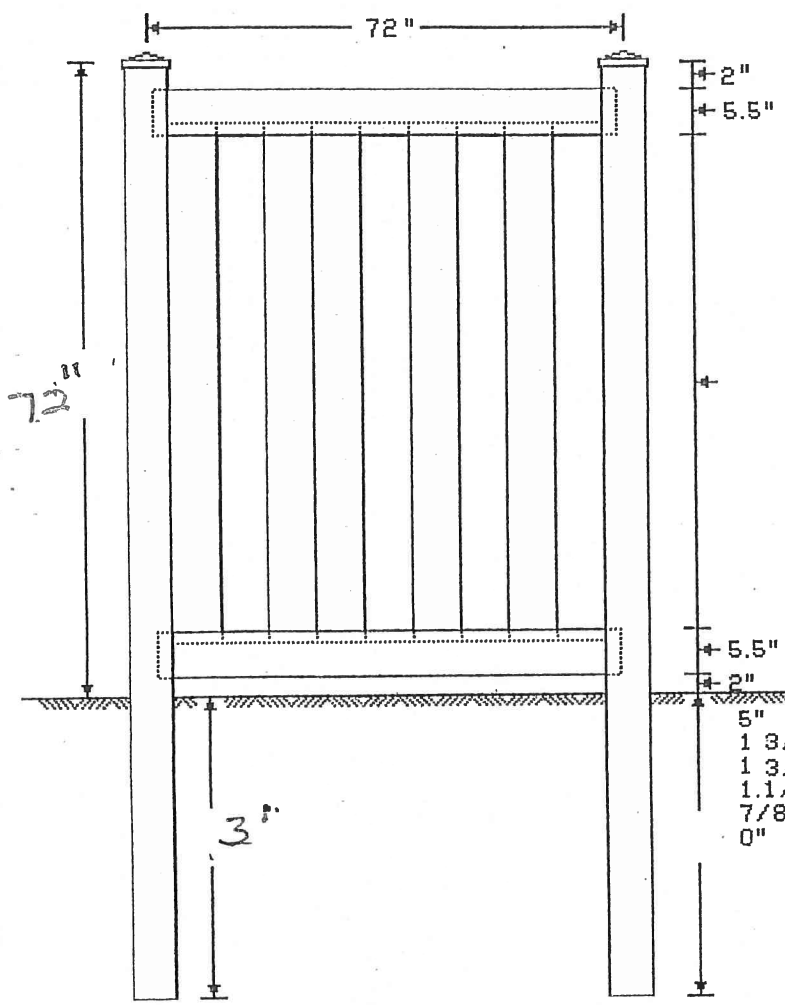
CERTIFICATE OF SURVEYOR
 The undersigned being licensed and registered surveyor of
 R.F. SUTTON & ASSOC., INC., does hereby certify that a survey was
 made of the land, as shown hereon and further certifies that
 this plat plan is a correct representation of the improvements
 described and that it can be located therefrom and from
 the wording of the Declaration of Condominium of PARK-
 VIEW EAST, A Condominium, as recorded in the Public Records
 of Sarasota County, Florida, the identification locations,
 dimensions and sizes of the common elements and of
 each unit contained therein.

DATE OF SURVEY 3/14/12
 RICHARD R. SUTTON
 SURVEYOR



SOUTH ELEVATION
 SCALE 1"=20'

PREPARED BY
 R.F. SUTTON & ASSOC., INC.



- 5" X 5" X 108" POSTS
- 1 3/4" X 5 1/2" X 71" TOP RAIL
- 1 3/4" X 5 1/2" X 71" BOTTOM RAIL
- 1 1/2" RAIL INSERTED INTO POST
- 7/8" X 11.3 X 62" PICKET
- 0" PICKET SPACING

JUN 16 2016
16-800

ARROW Fence Systems Inc.
"THE SPECIALTY FENCE LEADER"

Elite VINYL PRODUCTS

ARROW FENCE SYSTEMS INC.
0000 STREET ADDRESS
BRADENTON, FL 00000
(000) 000-0000

6' HIGH CONCORD WHITE

DRAWN BY: 09/30/09	SCALE:	PAGE:
REVISED: 09/30/09	FILE: 6' HIGH	1 of 1

Ornamental • Monumental • Distinct

Chesterfield

Featuring attractive, heavy duty 7/8" thick, 6" wide tongue & groove pickets. Chesterfield offers durable, contemporary privacy.

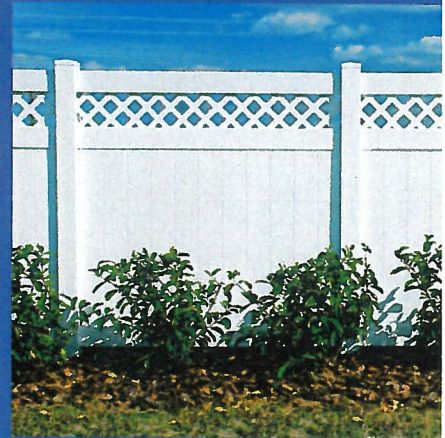
Height: 48" thru 96"
Width: 6' & 8'



Chesterfield with Lattice

With the same picket thickness and durability of Chesterfield, the lattice top provides an elegant accent to any surrounding

Height: 48" thru 96"
Width: 6' & 8'



Chesterfield with Stake Accent

Privacy at its finest, with a decorative stake accent top with durable tongue & groove pickets.

Height: 36" thru 96"
Width: 6' & 8'



Basketweave

Privacy never looked so good. The bold lines of the Basketweave provide a great backdrop for landscaping.

Height: 48" thru 96"
Width: 6' & 8'



Elite Vinyl Products are the best in safety and performance providing maximum durability and affordability. Always a practical choice for your home, ranch or community.

Additionally, vinyl decking and railings are the ultimate in maintenance free materials, built to last, easy to install and warranted for life.

Make a long-lasting expression of style with all the benefits of the total vinyl system.

- *No scraping, sanding or painting.*
- *Simple, yet secure installation.*
- *Multi-use for deck, fence and rail systems.*
- *Lifetime non-prorated warranty.*

Elite Vinyl Products, Inc. promises quality vinyl products, reliable and impeccable service along with competitive pricing.

