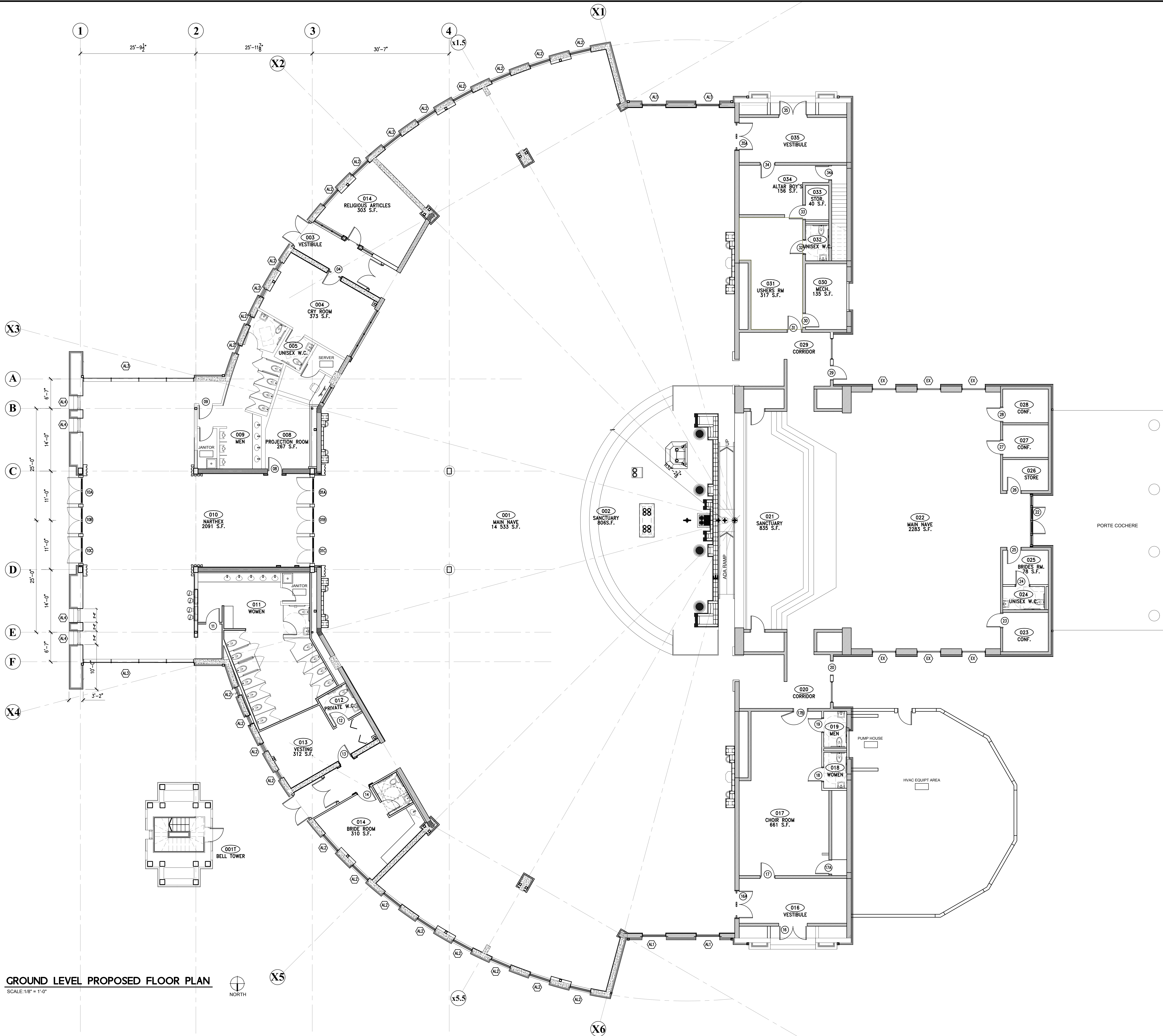


PROPOSED ARCHITECTURAL SITE PLAN

SCALE: 1/16" = 1'-0"



	EXISTING	NEW
BUILDING FOOTPRINT	26,243 S.F.	30,439 S.F.
PERVIOUS AREA	38,989 S.F.	33,303 S.F.
IMPERVIOUS AREA	134,511 S.F.	140,197 S.F.

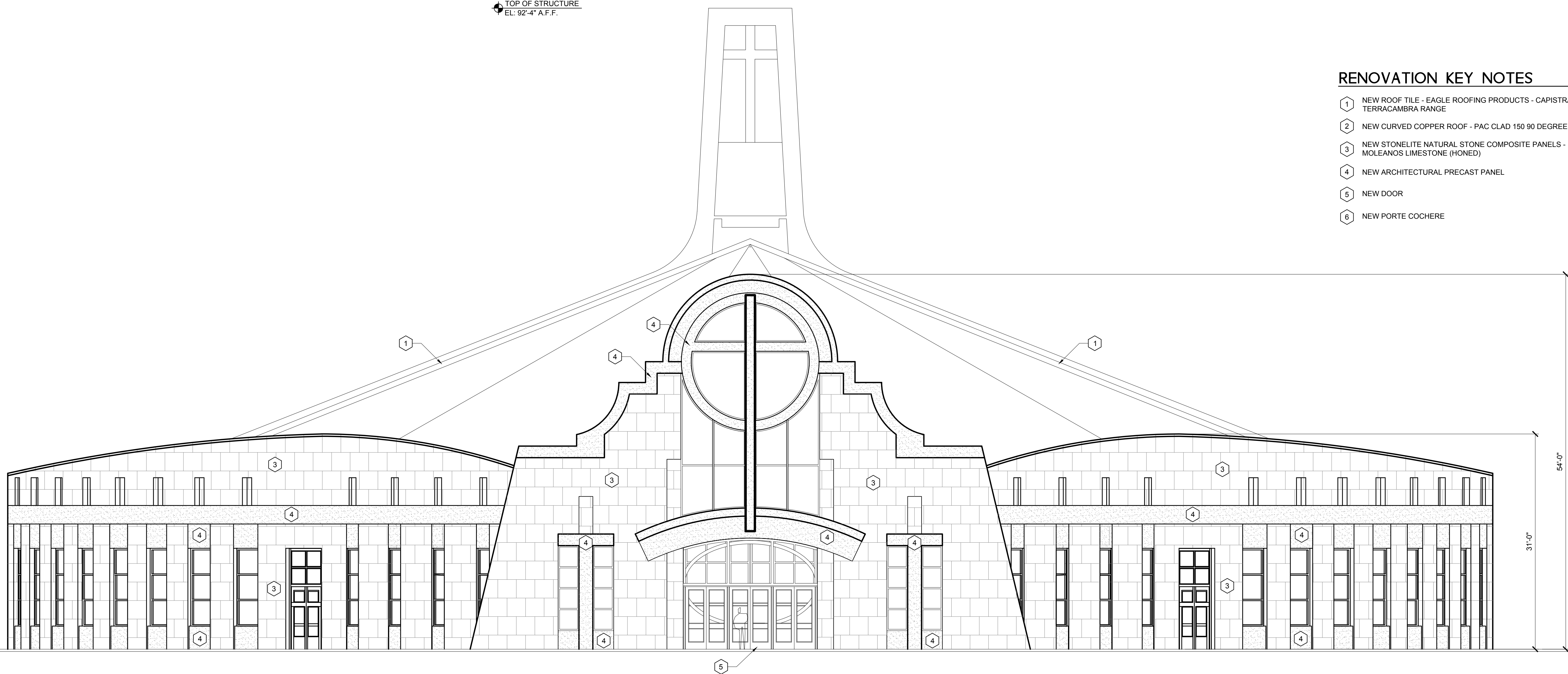


GROUND LEVEL PROPOSED FLOOR PLAN
 SCALE: 1/8" = 1'-0"



PORTE COCHERE

TOP OF STRUCTURE
EL: 92'-4" A.F.F.

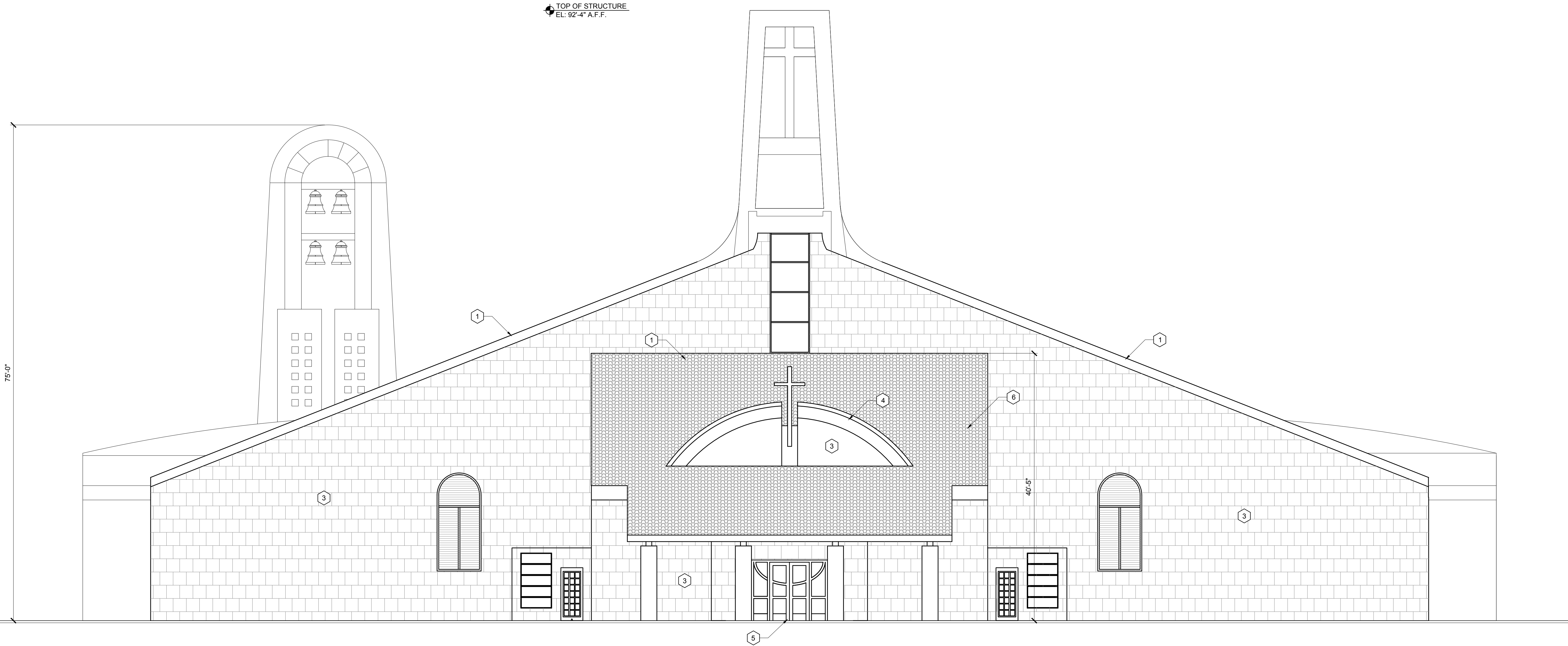


RENOVATION KEY NOTES

- 1 NEW ROOF TILE - EAGLE ROOFING PRODUCTS - CAPISTRANO 3664 TERRACAMBRA RANGE
- 2 NEW CURVED COPPER ROOF - PAC CLAD 150 90 DEGREE SEAM
- 3 NEW STONELITE NATURAL STONE COMPOSITE PANELS - MOLEANOS LIMESTONE (HONED)
- 4 NEW ARCHITECTURAL PRECAST PANEL
- 5 NEW DOOR
- 6 NEW PORTE COCHERE

1 RENOVATION EAST ELEVATION
A-2.1 SCALE: 1/8" = 1'-0"

TOP OF STRUCTURE
EL: 92'-4" A.F.F.



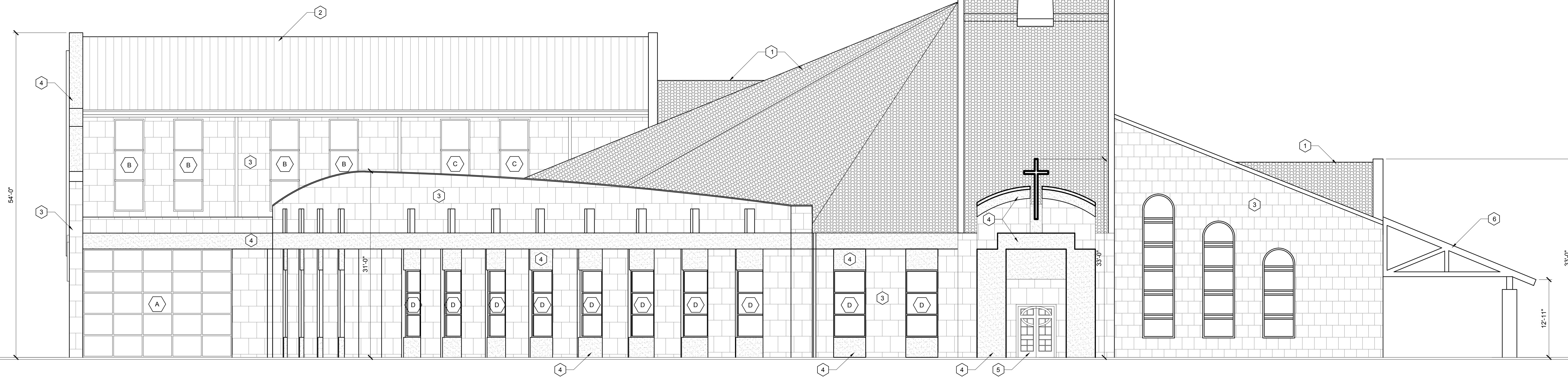
2 RENOVATION WEST ELEVATION
A-2.1 SCALE: 1/8" = 1'-0"

TOP OF STRUCTURE
EL. 92'-4" A.F.F.

EXISTING CONC. CROSS TOWER TO BE PAINTED

RENOVATION KEY NOTES

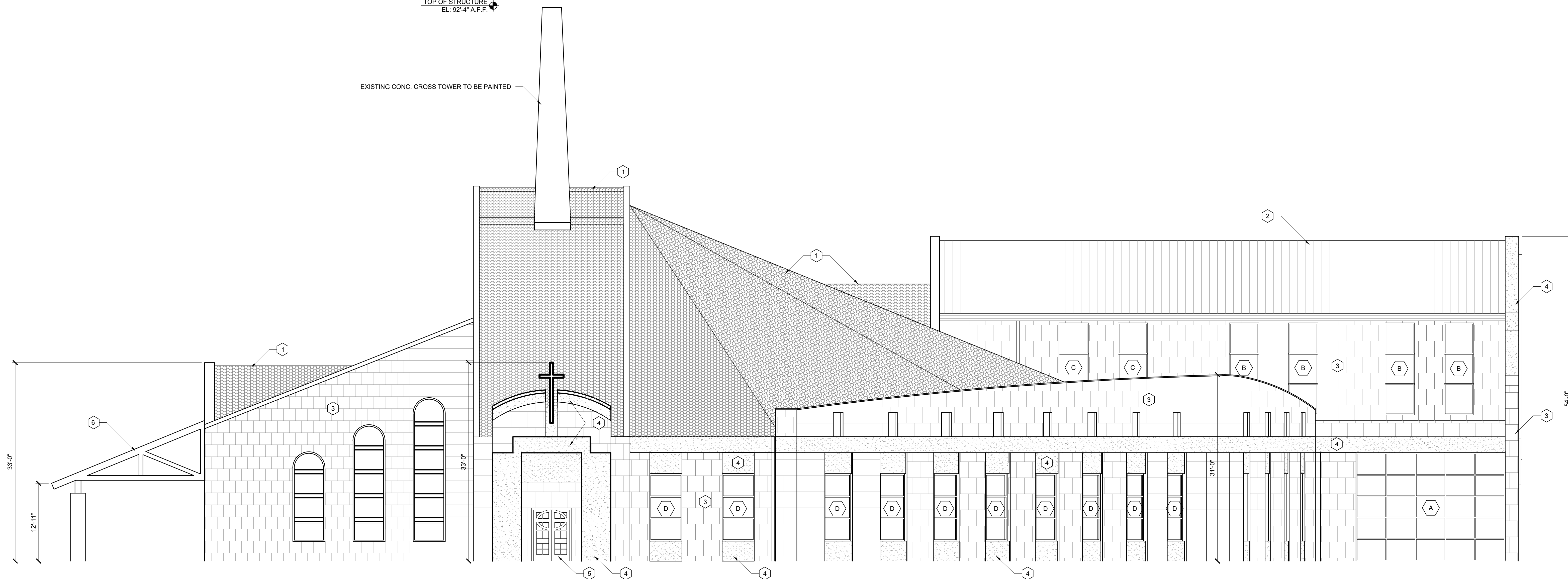
- 1 NEW ROOF TILE - EAGLE ROOFING PRODUCTS - CAPISTRANO 3664 TERRACAMBRA RANGE
- 2 NEW CURVED COPPER ROOF - PAC CLAD 150 90 DEGREE SEAM
- 3 NEW STONELITE NATURAL STONE COMPOSITE PANELS - MOLEANOS LIMESTONE (HONED)
- 4 NEW ARCHITECTURAL PRECAST PANEL
- 5 NEW DOOR
- 6 NEW PORTE COCHERE



1 **RENOVATION NORTH ELEVATION**
A-2.2 SCALE: 1/8" = 1'-0"

TOP OF STRUCTURE
EL. 92'-4" A.F.F.

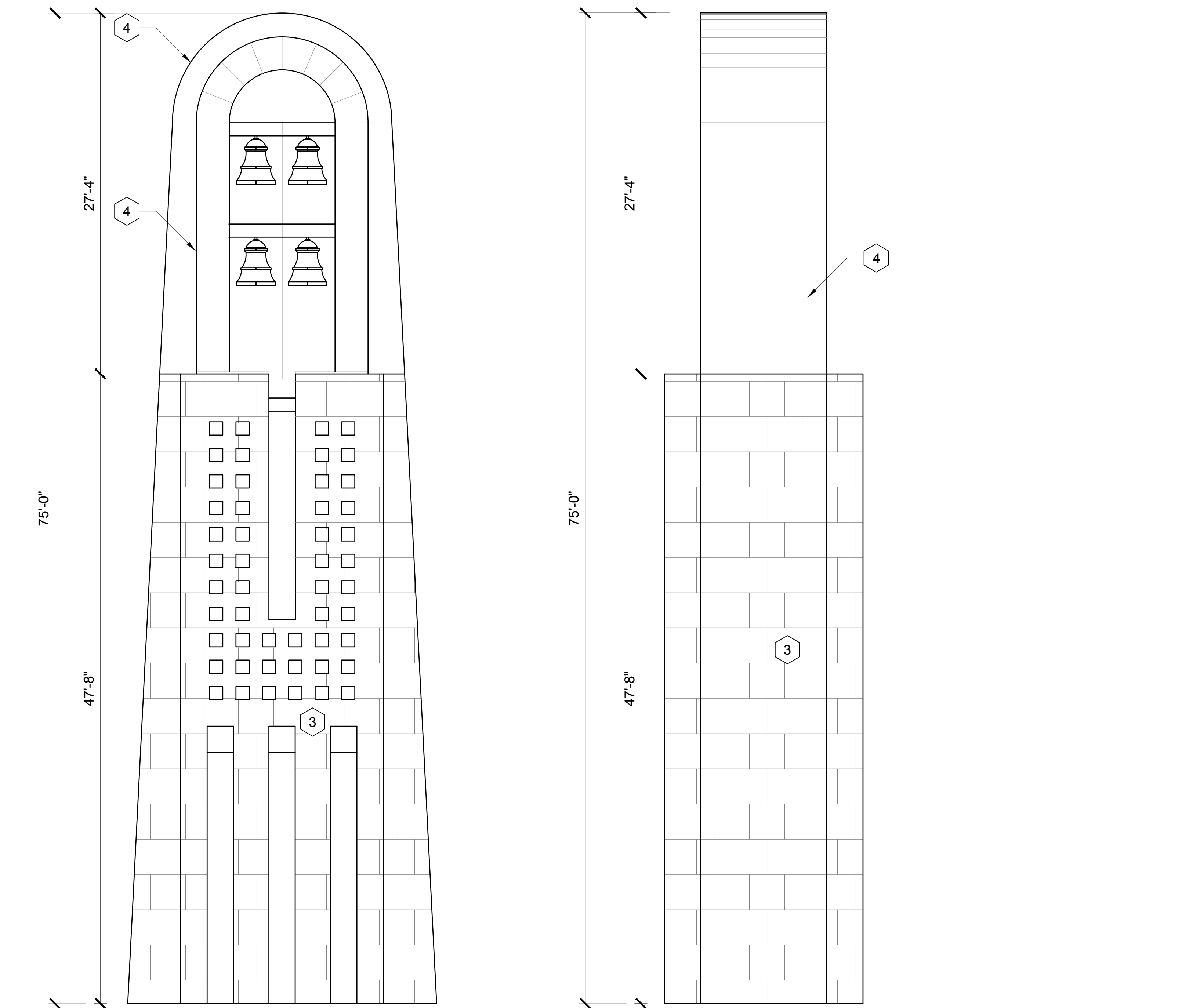
EXISTING CONC. CROSS TOWER TO BE PAINTED



2 **RENOVATION SOUTH ELEVATION**
A-2.2 SCALE: 1/8" = 1'-0"

RENOVATION KEY NOTES

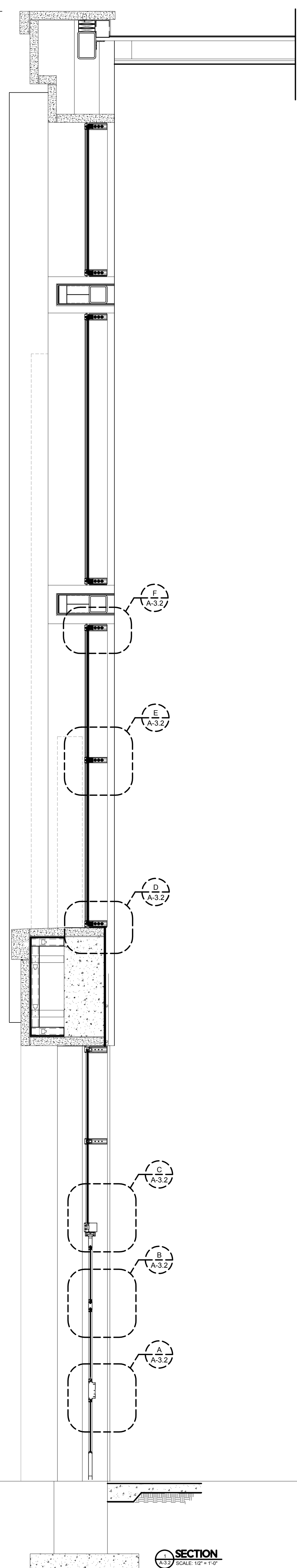
- ① NEW ROOF TILE - EAGLE ROOFING PRODUCTS - CAPISTRANO 3664 TERRACAMBRA RANGE
- ② NEW CURVED COPPER ROOF - PAC CLAD 150 90 DEGREE SEAM
- ③ NEW STONELITE NATURAL STONE COMPOSITE PANELS - MOLEANOS LIMESTONE (HONED)
- ④ NEW ARCHITECTURAL PRECAST PANEL
- ⑤ NEW DOOR
- ⑥ NEW PORTE COCHERE



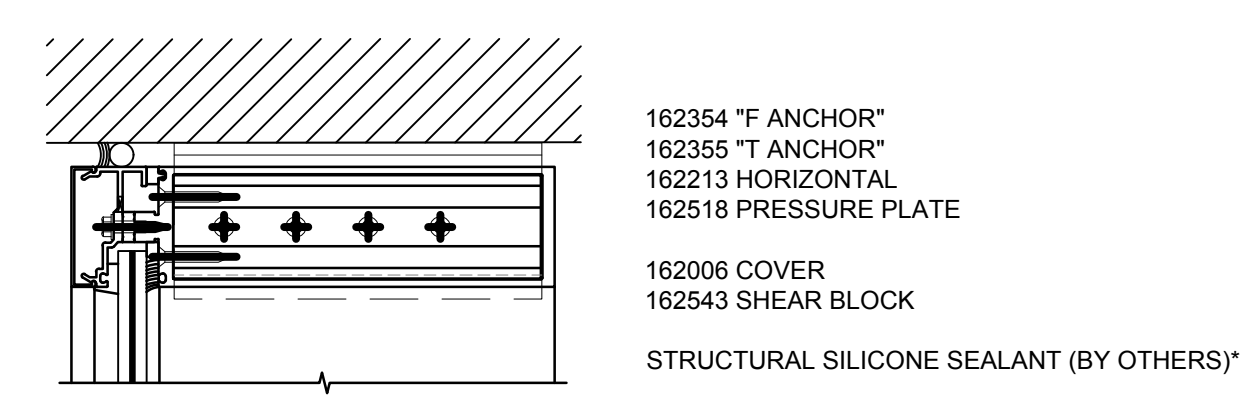
BELL TOWER ELEVATIONS

SCALE: 3/16" = 1'-0"

TOP OF PARAPET
EL: 54'-0" A.F.F.

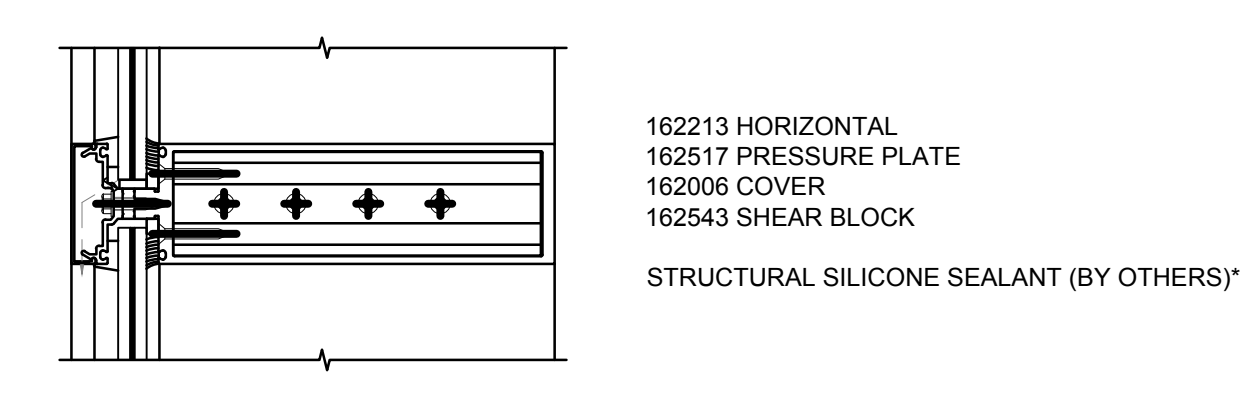


F HEAD - LARGE MISSILE IMPACT
SCALE: 3" = 1'-0"



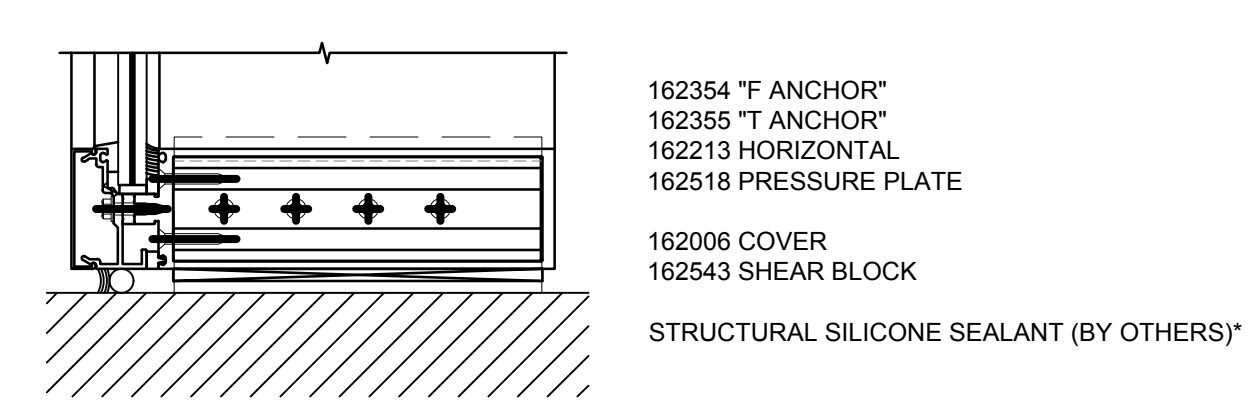
- 162354 "F" ANCHOR*
- 162355 "T" ANCHOR*
- 162213 HORIZONTAL
- 162518 PRESSURE PLATE
- 162006 COVER
- 162543 SHEAR BLOCK
- STRUCTURAL SILICONE SEALANT (BY OTHERS)*

E HORIZONTAL - LARGE MISSILE IMPACT
SCALE: 3" = 1'-0"



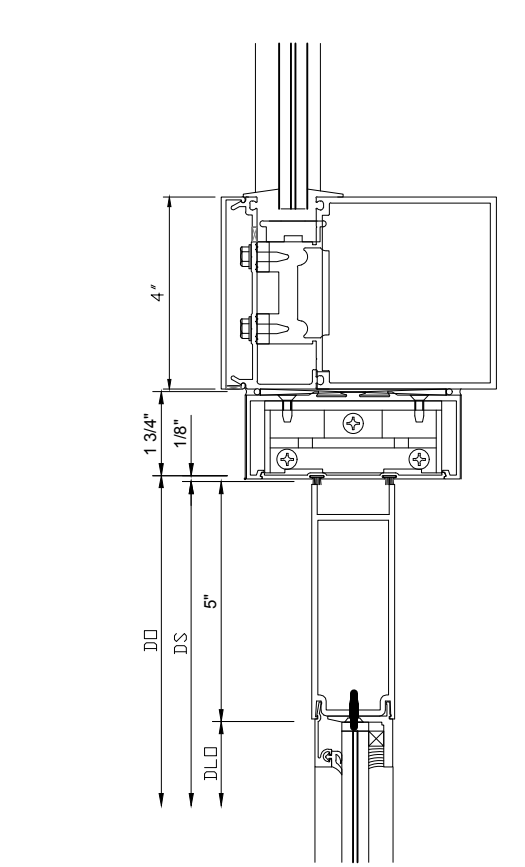
- 162213 HORIZONTAL
- 162517 PRESSURE PLATE
- 162006 COVER
- 162543 SHEAR BLOCK
- STRUCTURAL SILICONE SEALANT (BY OTHERS)*

D SILL - LARGE MISSILE IMPACT
SCALE: 3" = 1'-0"

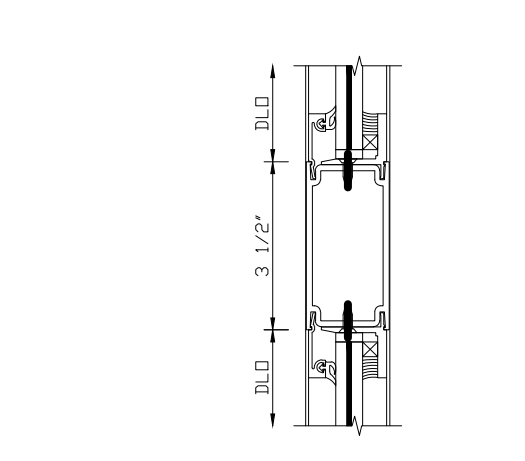


- 162354 "F" ANCHOR*
- 162355 "T" ANCHOR*
- 162213 HORIZONTAL
- 162518 PRESSURE PLATE
- 162006 COVER
- 162543 SHEAR BLOCK
- STRUCTURAL SILICONE SEALANT (BY OTHERS)*

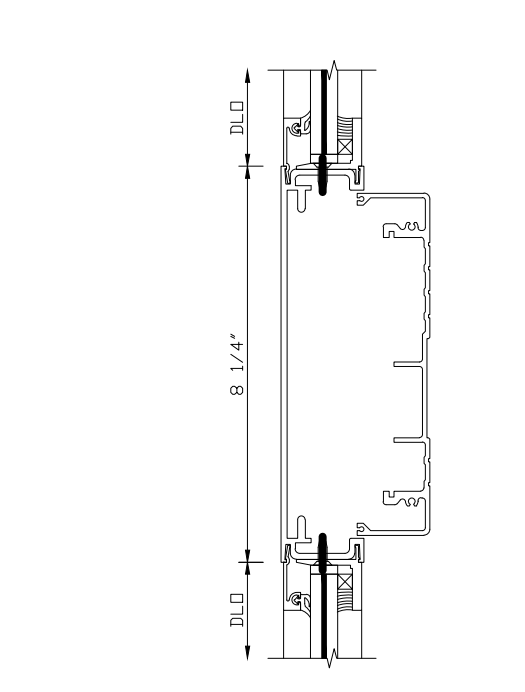
C SIGHT LINE DETAIL
SCALE: 3" = 1'-0"



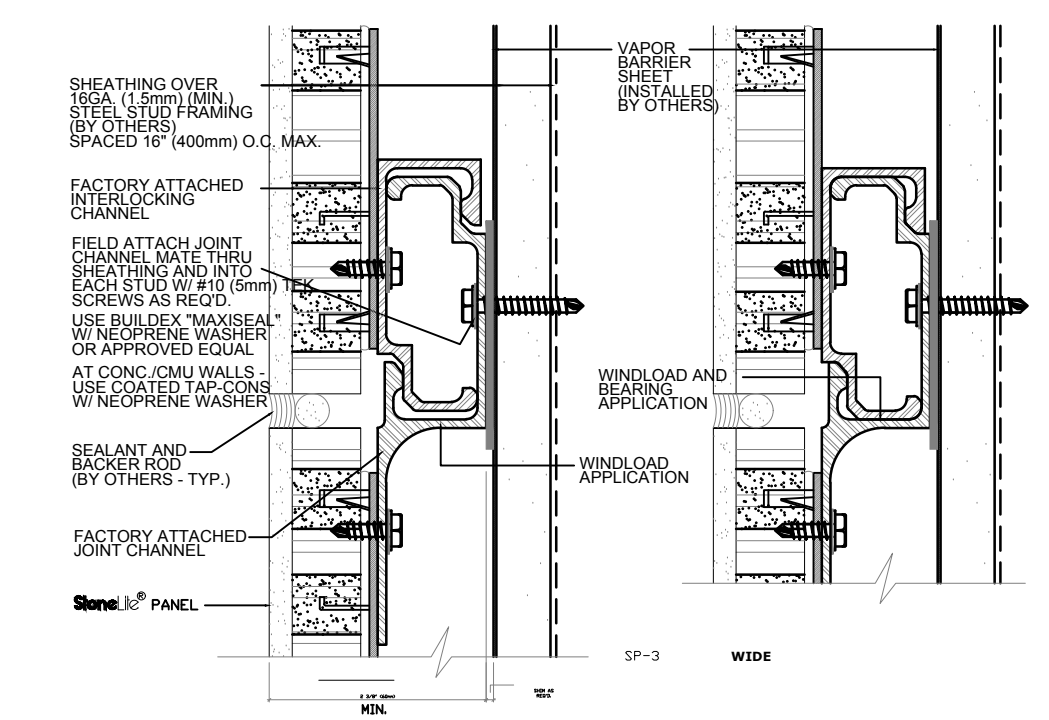
B DOOR RAIL DETAIL
SCALE: 3" = 1'-0"



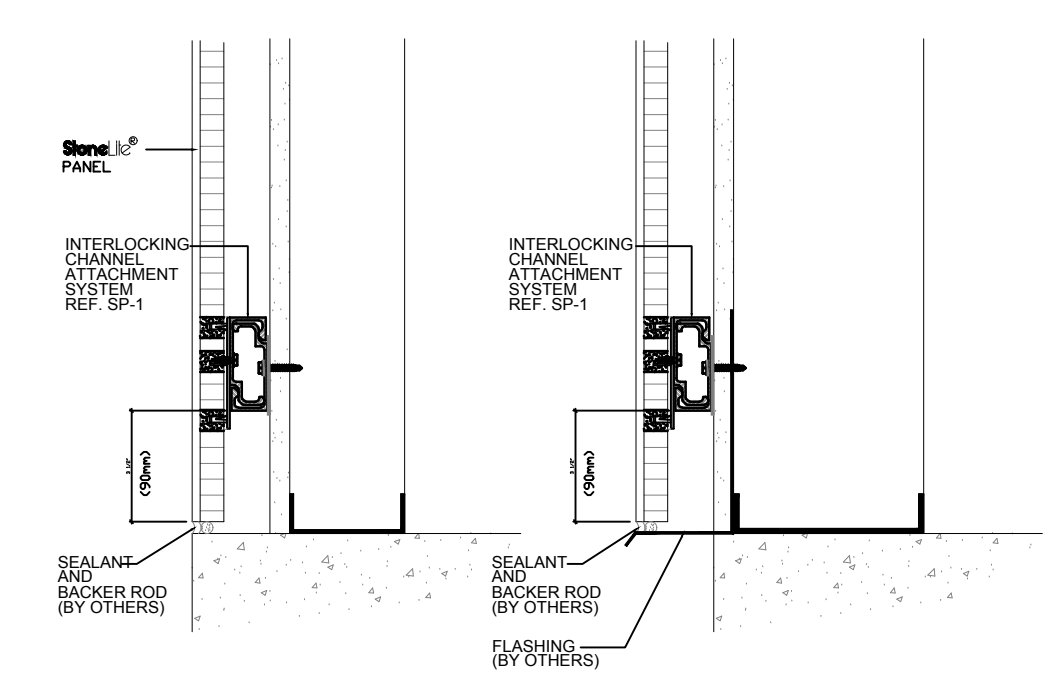
A PANELINE EXIT DEVICE
SCALE: 3" = 1'-0"



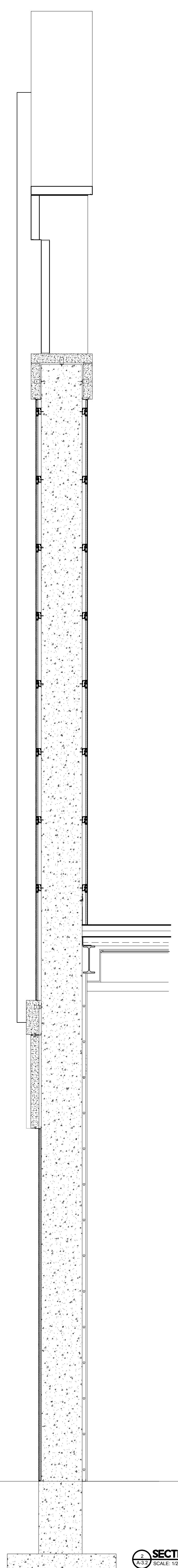
SECTION
SCALE: 1/2" = 1'-0"



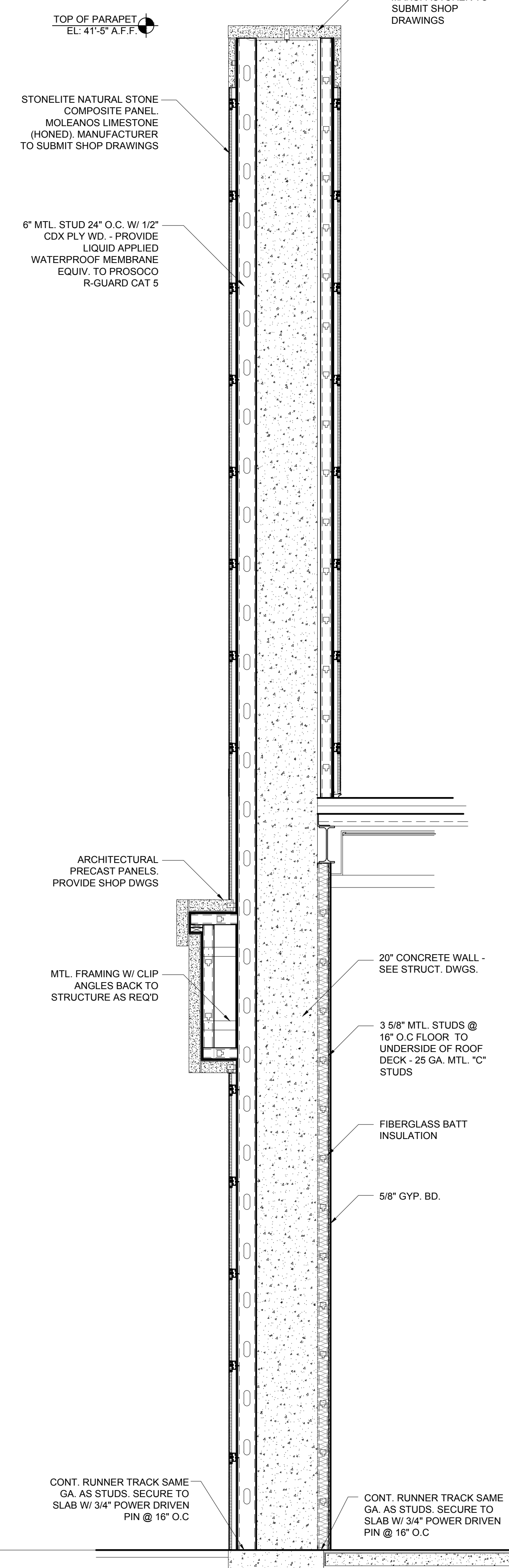
STONE PANEL INTERLOCKING CHANNEL SYSTEM AT BASE
SCALE: NTS



STONE PANEL INTERLOCKING JOINT CHANNEL
SCALE: NTS



SECTION
SCALE: 1/2" = 1'-0"



- TOP OF PARAPET
EL: 41'-5" A.F.F.
- ARCHITECTURAL PRECAST CAP PANEL
MANUFACTURER TO SUBMIT SHOP DRAWINGS
- STONELITE NATURAL STONE COMPOSITE PANEL
MOLEANOS LIMESTONE (HONED), MANUFACTURER TO SUBMIT SHOP DRAWINGS
- 6" MTL STUD 24" O.C. W/ 1/2" CDX PLY WD. - PROVIDE LIQUID APPLIED WATERPROOF MEMBRANE EQUIV. TO PROSOCCO R-GUARD CAT 5
- ARCHITECTURAL PRECAST PANELS
PROVIDE SHOP DWGS
- MTL. FRAMING W/ CLIP ANGLES BACK TO STRUCTURE AS REQD
- 20" CONCRETE WALL - SEE STRUCT. DWGS.
- 3 5/8" MTL STUDS @ 16" O.C FLOOR TO UNDERSIDE OF ROOF DECK - 25 GA. MTL. "C" STUDS
- FIBERGLASS BATT INSULATION
- 5/8" GYP. BD.
- CONT. RUNNER TRACK SAME GA. AS STUDS. SECURE TO SLAB W/ 3/4" POWER DRIVEN PIN @ 16" O.C
- CONT. RUNNER TRACK SAME GA. AS STUDS. SECURE TO SLAB W/ 3/4" POWER DRIVEN PIN @ 16" O.C

SECTION
SCALE: 1/2" = 1'-0"